

# AUSTRALASIAN HFG STANDARD COMPONENTS

Room Layout Sheet

RLS Room Code: **PAR**

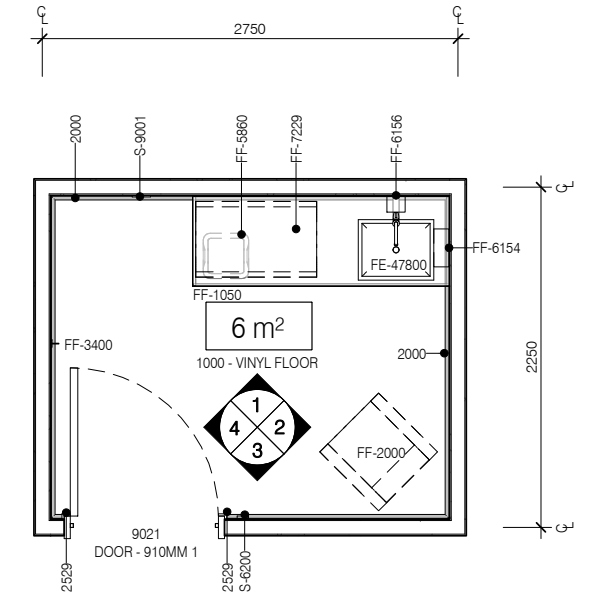
Room Name:

1:50 2.5m 2 1.5 1 0.5 0

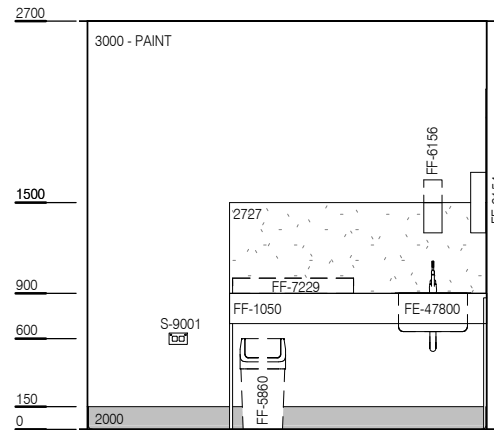
**PARENTING ROOM**



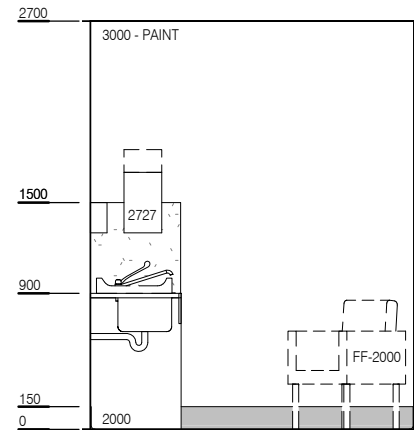
BIM ID	DESCRIPTION
2000	FLOOR VINYL COVED SKIRTING
2529	DOOR PROTECTION FRAME - 2529
2712	DOOR PROTECTION PLATE - 2712
2727	SPLASHBACK
FE-40403	TAPWARE - ACCESSIBLE BASIN MIXER
FE-47800	SINK, SS - SINGLE IN BENCH
FF-1050	BENCHTOP - LAMINATE
FF-2000	CHAIR - LOUNGE
FF-3400	COAT HOOK
FF-5860	WASTE BIN, FLIP TOP - 5860
FF-6154	DISPENSER - HAND TOWEL
FF-6156	DISPENSER - SOAP
FF-7229	BABY CHANGING MAT
S-6200	LIGHT SWITCH
S-9001	GENERAL POWER OUTLET - DOUBLE



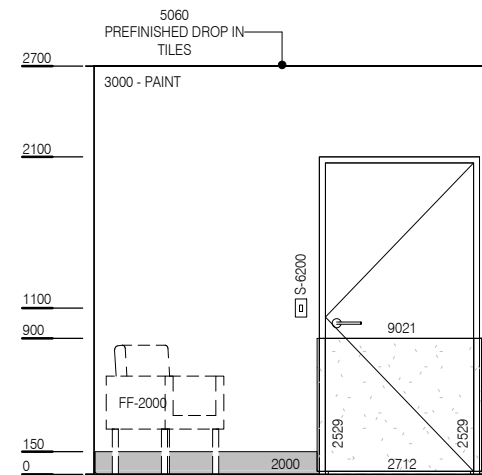
**PLAN**



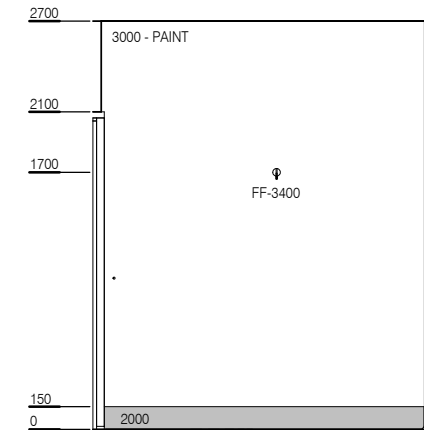
**ELEVATION 1**



**ELEVATION 2**



**ELEVATION 3**



**ELEVATION 4**



REV	DESCRIPTION	DATE
2	This RLS has been reviewed, redocumented and reissued	01.03.2016

**FOR GUIDANCE**

SCALE	RLS Room Code	Room Tag	REV
1 : 50 @ A3	PAR	1.157	2