

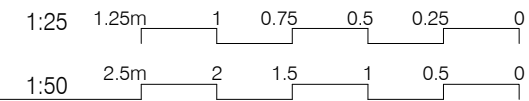
# AUSTRALASIAN HFG STANDARD COMPONENTS

Room Layout Sheet

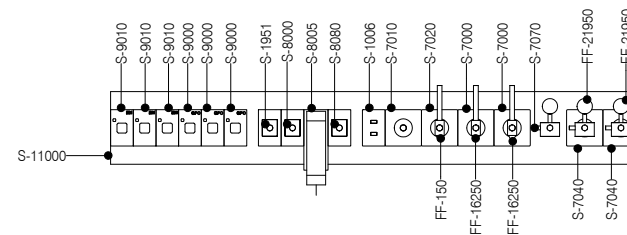
RLS Room Code: **PROC-20**

Room Name:

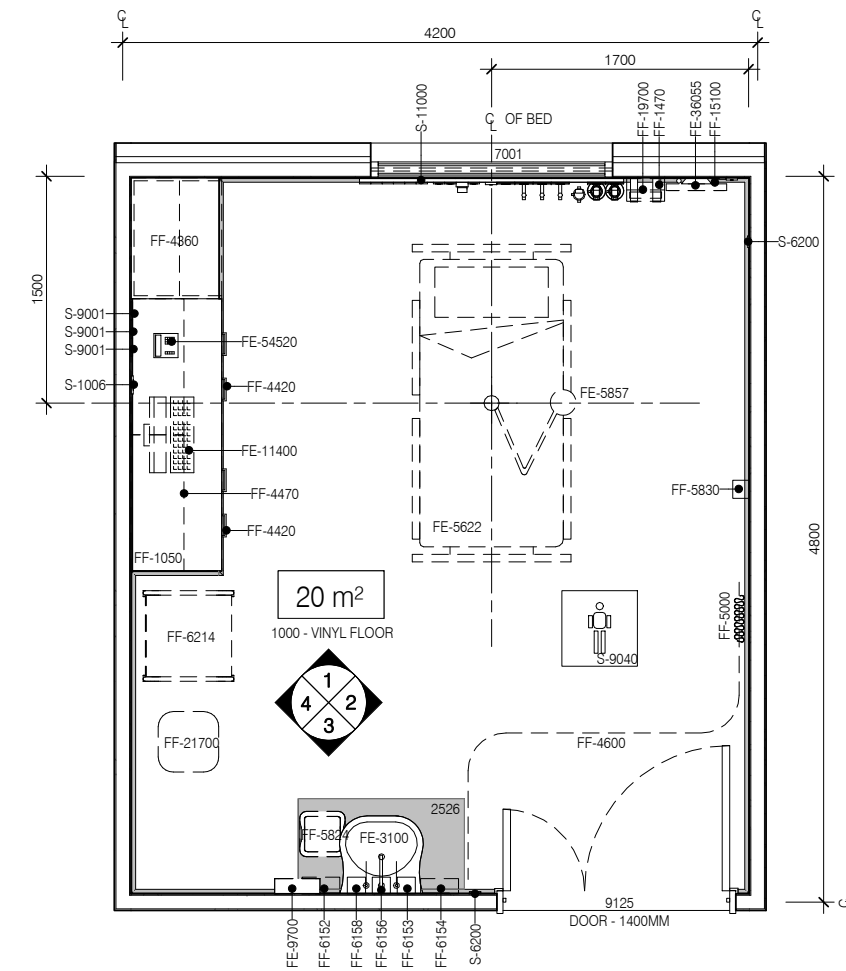
**PROCEDURE ROOM, 20m<sup>2</sup>**



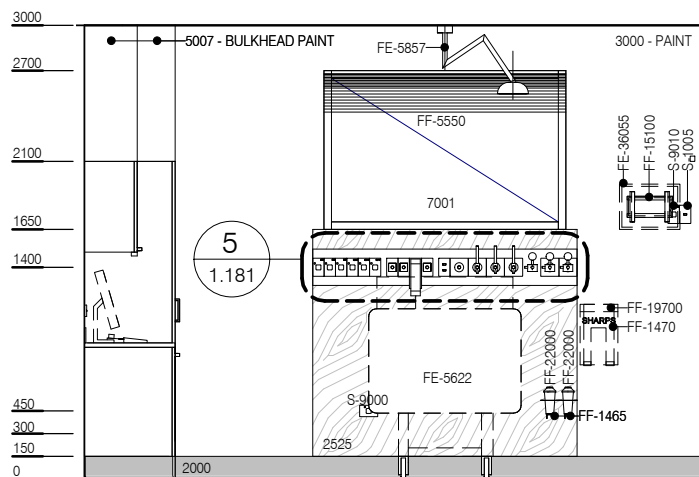
BIM ID	DESCRIPTION	BIM ID	DESCRIPTION
2000	FLOOR VINYL COVED SKIRTING	FF-6153	DISPENSER - MOISTURISER
2526	VINYL FLOORING, NON-SLIP 2526	FF-6154	DISPENSER - HAND TOWEL
2527	WALL SPLASHBACK	FF-6156	DISPENSER - SOAP
2529	DOOR PROTECTION FRAME - 2529	FF-6158	DISPENSER - SOAP ANTISEPTIC
2712	DOOR PROTECTION PLATE - 2712	FF-6214	TROLLEY - EQ
7001	WINDOWS	FF-15100	BRACKET - MONITOR
FE-3100	BASIN - SCRUB, TYPE A	FF-16250	OXYGEN FLOWMETER
FE-5622	BED - INPATIENT, ELECTRIC + STANDARD PATIENT MATTRESS	FF-19700	SHARPS BINS
FE-5857	LIGHT PROCEDURE - SMALL CEILING MOUNTED	FF-21700	STOOL - ADJUSTABLE - HIGH
FE-9700	CLOCK - ANALOGUE, ELECTRIC	FF-21950	SUCTION ADAPTER
FE-11400	COMPUTER - PC & MONITOR	FF-22000	SUCTION BOTTLE
FE-36055	MONITOR - CARDIAC WITH VITAL SIGNS	S-1005	VOICE DATA OUTLET - SINGLE
FE-54520	TELEPHONE - HANDSET, HANDSFREE	S-1006	VOICE DATA OUTLET - DOUBLE
FF-150	AIR FLOWMETER	S-1951	STAFF ASSIST CALL
FF-1050	BENCHTOP - LAMINATE	S-6200	LIGHT SWITCH
FF-1465	BRACKET - SUCTION BOTTLE	S-7000	MEDICAL GAS OUTLET - OXYGEN
FF-1470	BRACKET - SHARPS	S-7010	MEDICAL GAS OUTLET - N2O
FF-4360	CUPBOARD - DBL FULL HEIGHT	S-7020	MEDICAL GAS OUTLET - MEDICAL AIR
FF-4420	CUPBOARD - UNDER BENCH DOUBLE - 900W X 870H X 600D	S-7040	MEDICAL GAS OUTLET - SUCTION
FF-4470	CUPBOARD - WALL MOUNTED, LOCKABLE	S-7070	SCAVENGE ADAPTER
FF-4600	CURTAIN TRACK - 90 DEGREE	S-8000	PATIENT TO STAFF CALL
FF-5000	CURTAIN - BED SCREEN	S-8005	PATIENT CALL HANDSET
FF-5550	BLIND - INTEGRAL	S-8080	EMERGENCY CALL
FF-5824	WASTE BIN, GENERAL	S-9000	GENERAL POWER OUTLET - SINGLE
FF-5830	DISPENSER - ANTISEPTIC HAND RUB	S-9000	GENERAL POWER OUTLET - SINGLE
FF-6152	DISPENSER - DISPOSABLE GLOVES	S-9001	GENERAL POWER OUTLET - DOUBLE
		S-9010	EMERGENCY POWER OUTLET - SINGLE
		S-9040	BODY PROTECTED
		S-10005	DURESS ALARM



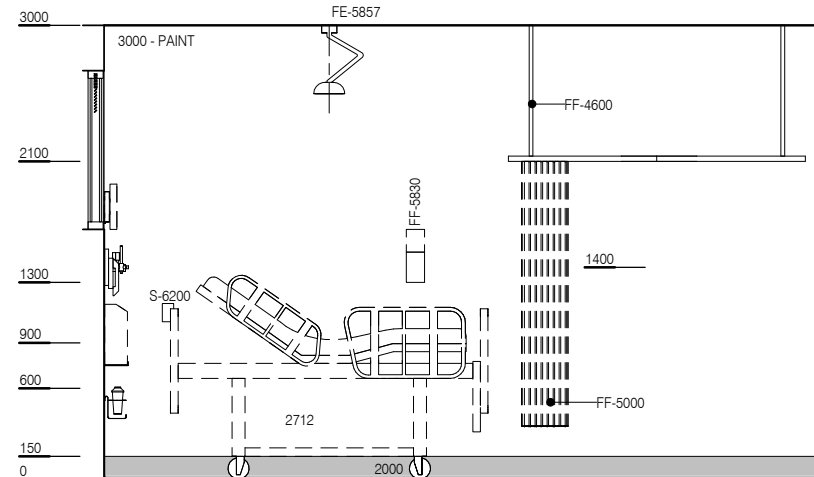
ELEVATION 5 ( 1 : 25 @ A3 )



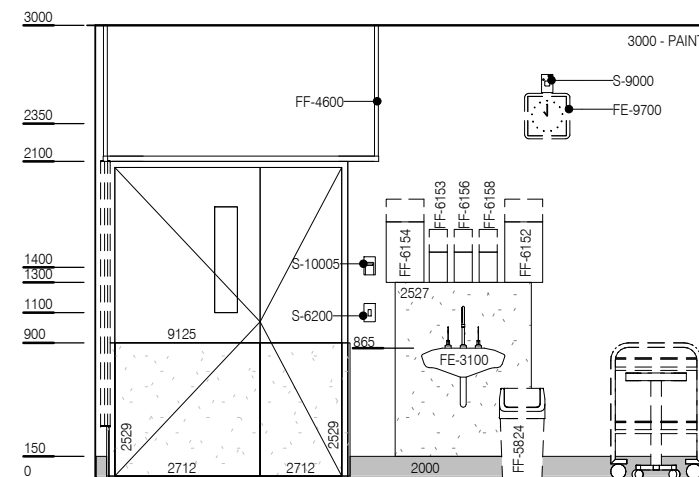
PLAN



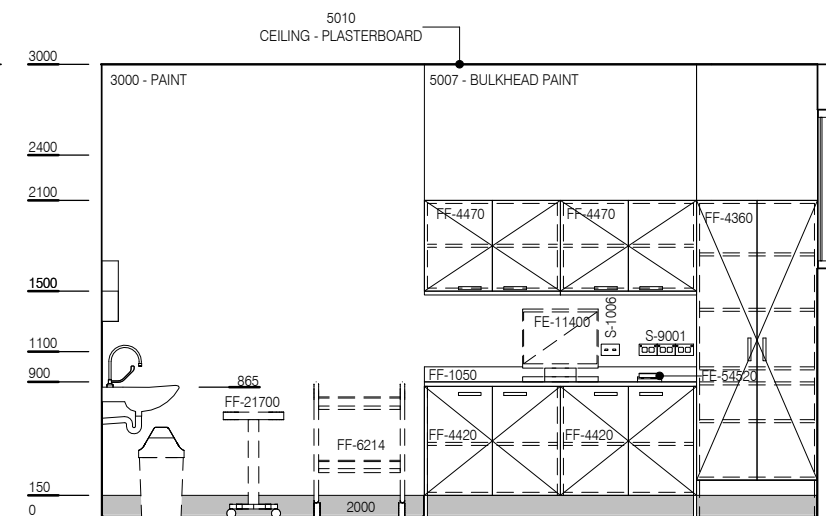
ELEVATION 1



ELEVATION 2



ELEVATION 3



ELEVATION 4



REV	DESCRIPTION	DATE
4	This RLS has been reviewed, redocumented and reissued	01.03.2016

FOR GUIDANCE

SCALE	RLS Room Code	Room Tag	REV
1 : 50 @ A3	PROC-20	1.181	4