

# AUSTRALASIAN HFG STANDARD COMPONENTS

Room Layout Sheet

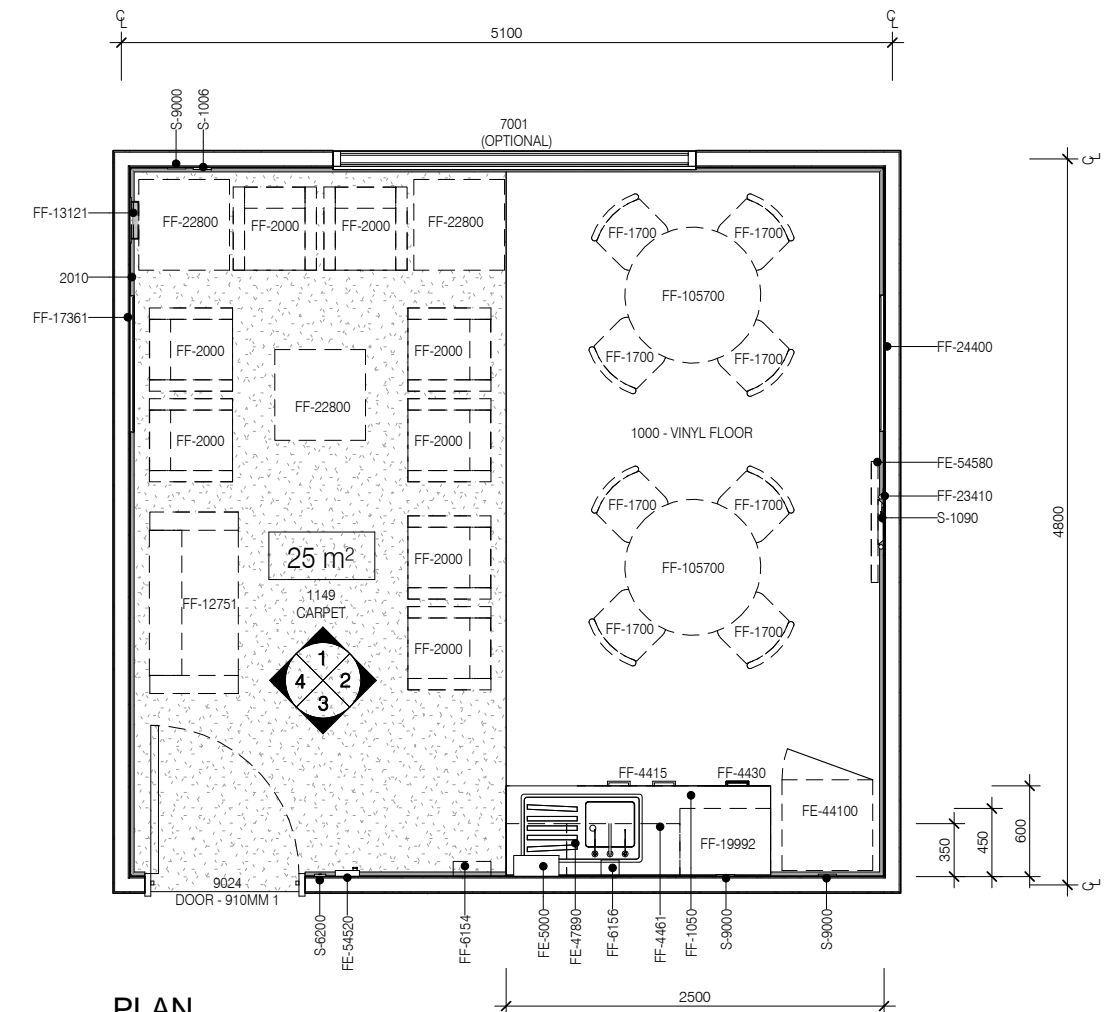
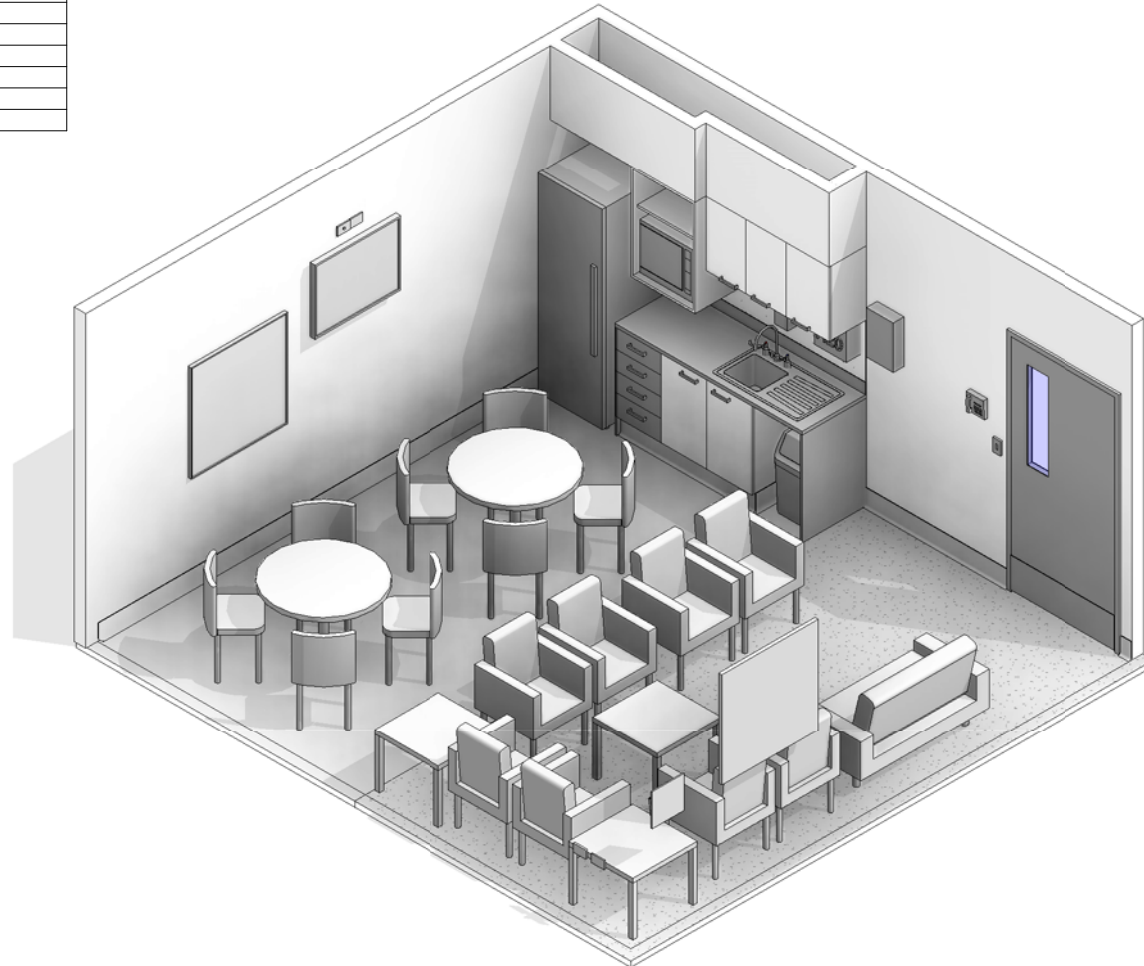
RLS Room Code: **SRM-25**

1:50 2.5m 2 1.5 1 0.5 0

Room Name:

**STAFF ROOM, 25m<sup>2</sup>**

BIMID	DESCRIPTION
2010	SKIRTING VINYL, FEATHERED EDGED, 150mmH
3060	WALL VINYL - 3060
7001	WINDOWS
8000	DOOR PROTECTION - KICKPLATE - 8000
FE-4045	TAP MIXER, LONG LEVER
FE-5000	BOILING WATER UNIT - 5 LITRE
FE-35400	OVEN - MICROWAVE, DOMESTIC
FE-44100	REFRIGERATOR - 250 LITRE, DOMESTIC
FE-47890	SINK WITH DRAINER, STAINLESS STEEL
FE-54520	TELEPHONE - STANDARD - WALL MOUNTED HANDSFREE
FE-54580	TELEVISION FE-54550
FF-1050	BENCHTOP - LAMINATE
FF-1250	EXTERNAL WINDOW DRESSING - FF-1250
FF-1700	CHAIR - STAFF DINING
FF-2000	CHAIR - LOUNGE
FF-4415	CUPBOARD - UNDER BENCH DOUBLE - 850W X 870H X 600D
FF-4430	CUPBOARD DRAWER UNITS 450W
FF-4461	CUPBOARD - OVERHEAD DOUBLE 750W X 600H X 350D
FF-5824	WASTE BIN, GENERAL
FF-6154	DISPENSER - HAND TOWEL
FF-6156	DISPENSER - SOAP
FF-12751	LOUNGE - 2 SEAT (1200 LONG)
FF-13121	MAGAZINE AND PAMPHLET RACK - SMALL
FF-17361	PINBOARD
FF-19992	SHELVING UNIT, MICROWAVE WITH ADJUSTABLE SHELVES - NO DOOR
FF-22800	TABLE - LOW
FF-23410	TV BRACKET
FF-24400	WHITEBOARD
FF-44711	CUPBOARD - OVERHEAD - SINGLE 400W X 600H X 350D
FF-105700	TABLE - ROUND 900
S-1006	VOICE DATA OUTLET - DOUBLE
S-1090	TV - MATV
S-6200	LIGHT SWITCH
S-9000	GENERAL POWER OUTLET - SINGLE
S-9001	GENERAL POWER OUTLET - DOUBLE
S-9060	GENERAL POWER OUTLET - SPECIAL FOR EQUIPMENT



PLAN



REV	DESCRIPTION	DATE
3	This RLS has been redocumented	01.03.2016

**FOR GUIDANCE**

SCALE	RLS Room Code	Room Tag	REV
1 : 50 @ A3	SRM-25	1.203.1	3

# AUSTRALASIAN HFG STANDARD COMPONENTS

Room Layout Sheet

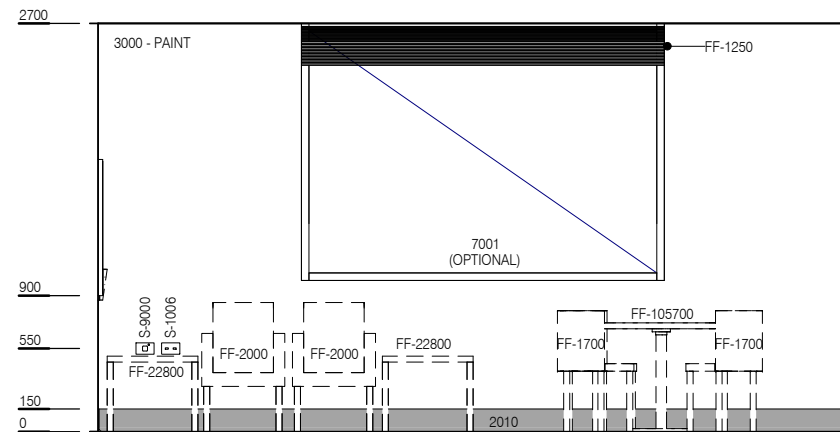
RLS Room Code: **SRM-25**

1:50 2.5m 2 1.5 1 0.5 0

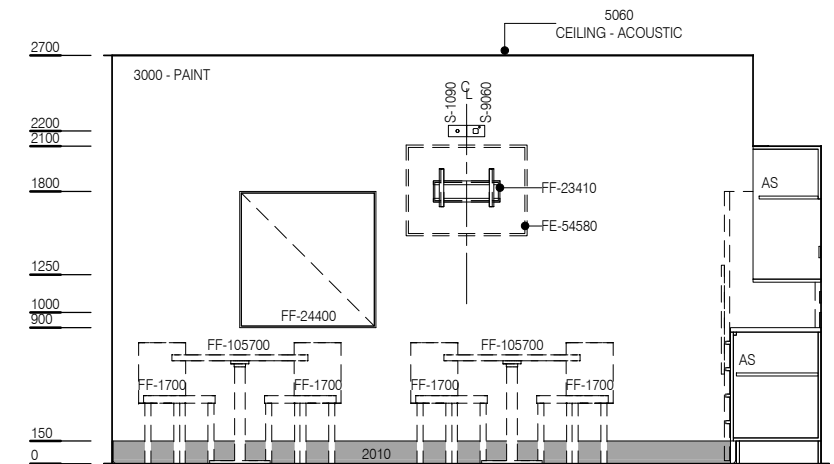
Room Name:

**STAFF ROOM, 25m<sup>2</sup>**

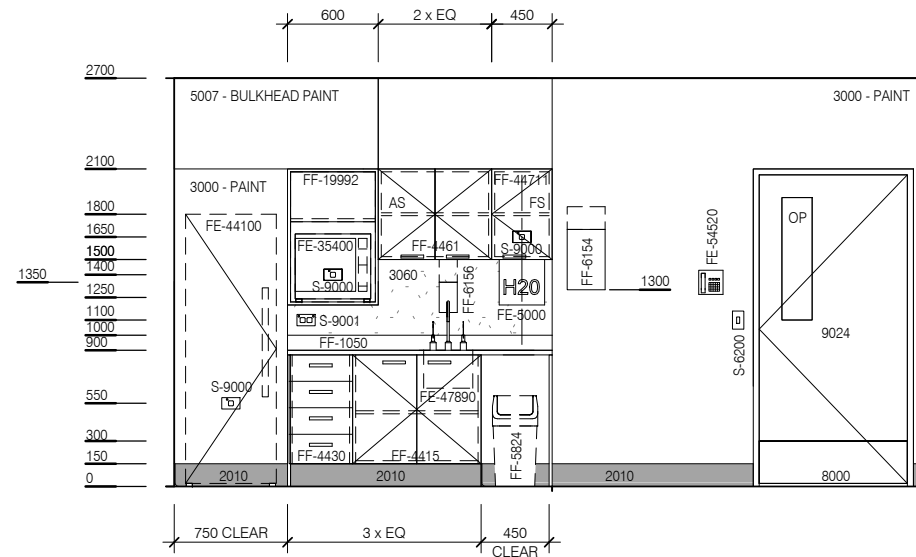
BIMID	DESCRIPTION
2010	SKIRTING VINYL, FEATHERED EDGED, 150mmH
3060	WALL VINYL - 3060
7001	WINDOWS
8000	DOOR PROTECTION - KICKPLATE - 8000
FE-4045	TAP MIXER, LONG LEVER
FE-5000	BOILING WATER UNIT - 5 LITRE
FE-35400	OVEN - MICROWAVE, DOMESTIC
FE-44100	REFRIGERATOR - 250 LITRE, DOMESTIC
FE-47890	SINK WITH DRAINER, STAINLESS STEEL
FE-54520	TELEPHONE - STANDARD - WALL MOUNTED HANDSFREE
FE-54580	TELEVISION FE-54550
FF-1050	BENCHTOP - LAMINATE
FF-1250	EXTERNAL WINDOW DRESSING - FF-1250
FF-1700	CHAIR - STAFF DINING
FF-2000	CHAIR - LOUNGE
FF-4415	CUPBOARD - UNDER BENCH DOUBLE - 850W X 870H X 600D
FF-4430	CUPBOARD DRAWER UNITS 450W
FF-4461	CUPBOARD - OVERHEAD DOUBLE 750W X 600H X 350D
FF-5824	WASTE BIN, GENERAL
FF-6154	DISPENSER - HAND TOWEL
FF-6156	DISPENSER - SOAP
FF-12751	LOUNGE - 2 SEAT (1200 LONG)
FF-13121	MAGAZINE AND PAMPHLET RACK - SMALL
FF-17361	PINBOARD
FF-19992	SHELVING UNIT, MICROWAVE WITH ADJUSTABLE SHELVES - NO DOOR
FF-22800	TABLE - LOW
FF-23410	TV BRACKET
FF-24400	WHITEBOARD
FF-44711	CUPBOARD - OVERHEAD - SINGLE 400W X 600H X 350D
FF-105700	TABLE - ROUND 900
S-1006	VOICE DATA OUTLET - DOUBLE
S-1090	TV - MATV
S-6200	LIGHT SWITCH
S-9000	GENERAL POWER OUTLET - SINGLE
S-9001	GENERAL POWER OUTLET - DOUBLE
S-9060	GENERAL POWER OUTLET - SPECIAL FOR EQUIPMENT



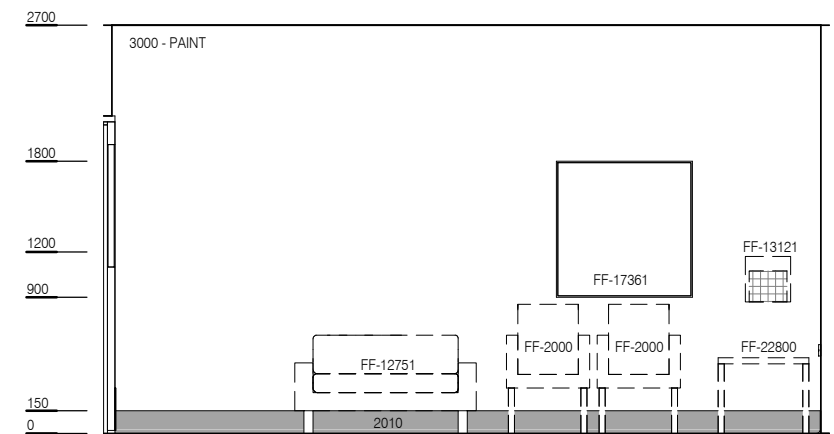
**ELEVATION 1**



**ELEVATION 2**



**ELEVATION 3**



**ELEVATION 4**



REV	DESCRIPTION	DATE
3	This RLS has been redocumented	01.03.2016

**FOR GUIDANCE**

SCALE	RLS Room Code	Room Tag	REV
1 : 50 @ A3	SRM-25	1.203.2	3