

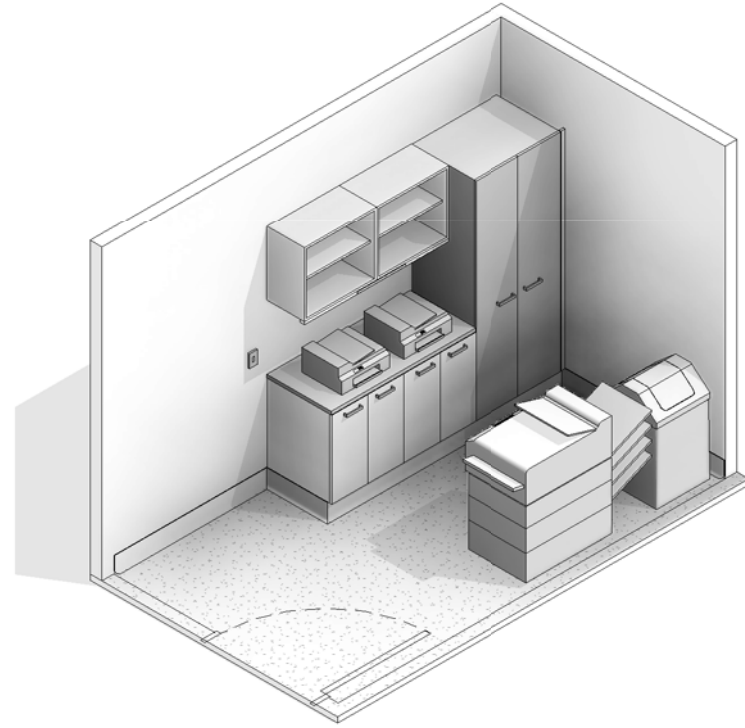
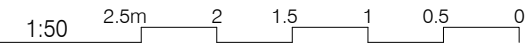
AUSTRALASIAN HFG STANDARD COMPONENTS

Room Layout Sheet

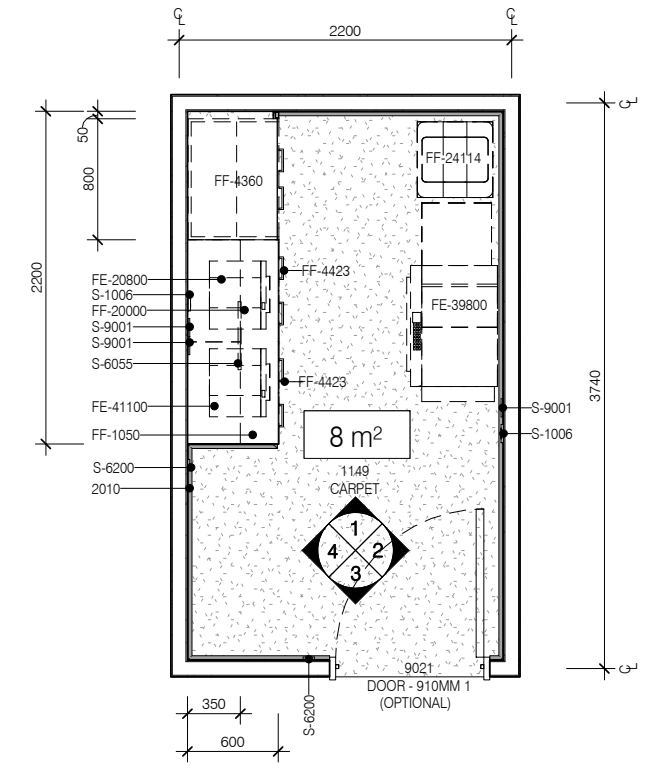
RLS Room Code: **STPS-8**

Room Name:

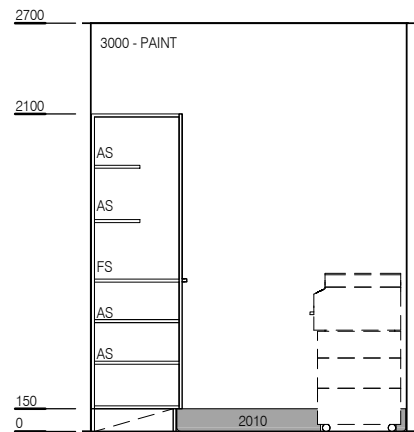
STORE - PHOTOCOPY/ STATIONERY, 8m²



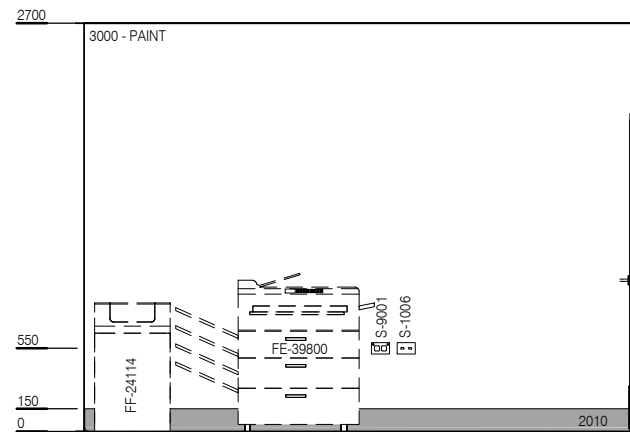
BIMID	DESCRIPTION
2010	SKIRTING VINYL, FEATHERED EDGED, 150mmH
2710	DOOR PROTECTION - KICKPLATE - 2710
FE-20800	FACSIMILE MACHINE
FE-39800	PHOTOCOPIER
FE-41100	PRINTER - NETWORKED
FF-1050	BENCHTOP - LAMINATE
FF-4360	CUPBOARD - DBL FULL HEIGHT
FF-4423	CUPBOARD - UNDER BENCH DOUBLE - 675W X 870H X 600D
FF-20000	ADJUSTABLE SHELVES
FF-24114	WASTE BIN, FLIP TOP - 50L
S-1006	VOICE DATA OUTLET - DOUBLE
S-6055	SPECIAL TASK LIGHT, BUILT-IN
S-6200	LIGHT SWITCH
S-9001	GENERAL POWER OUTLET - DOUBLE



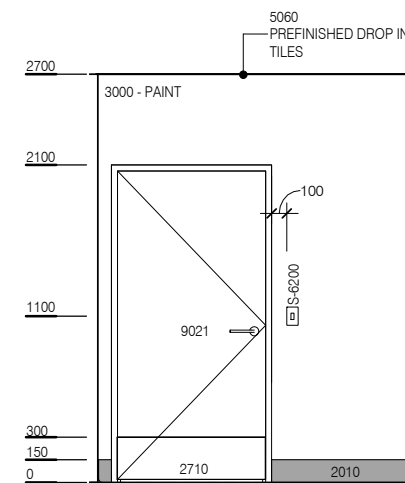
PLAN



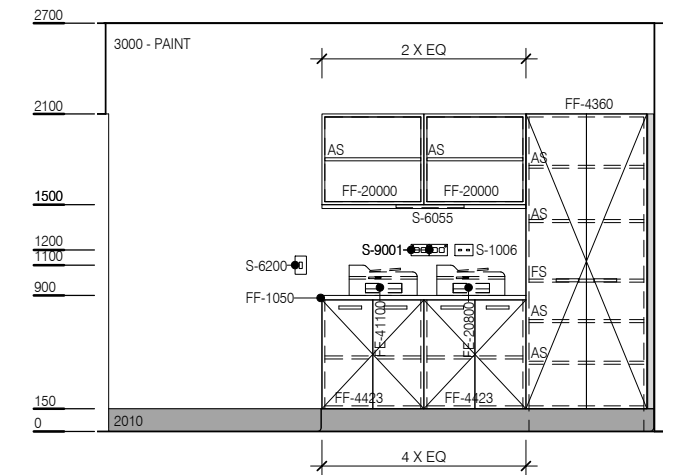
ELEVATION 1



ELEVATION 2



ELEVATION 3



ELEVATION 4



REV	DESCRIPTION	DATE
3	This RLS has been redocumented	01.03.2016

FOR GUIDANCE

SCALE	RLS Room Code	Room Tag	REV
1 : 50 @ A3	STPS-8	1.225	3