

# AUSTRALASIAN HFG STANDARD COMPONENTS

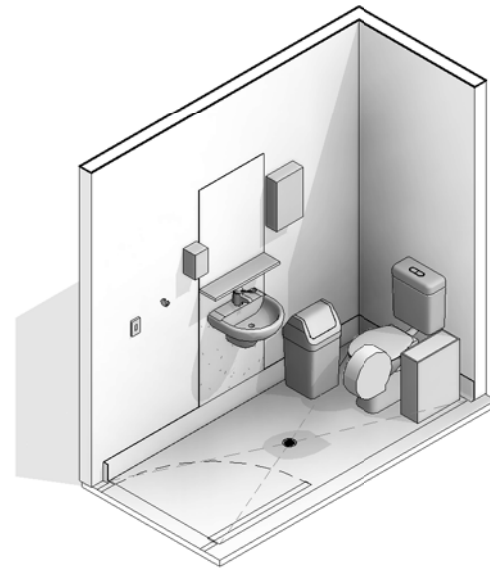
Room Layout Sheet

RLS Room Code: **WCST**

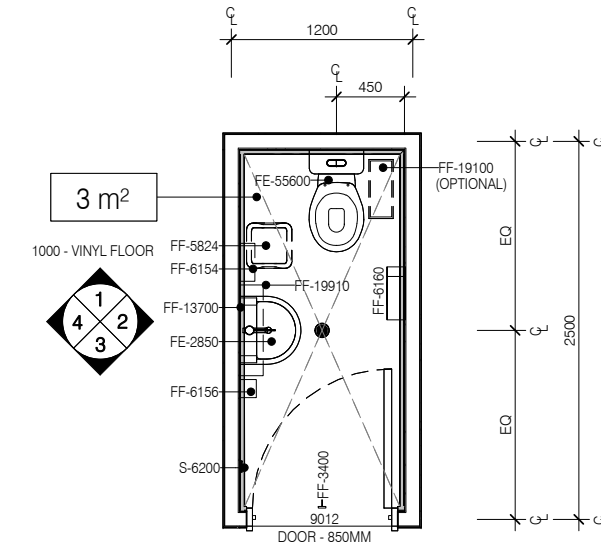
1:50 2.5m 2 1.5 1 0.5 0

Room Name:

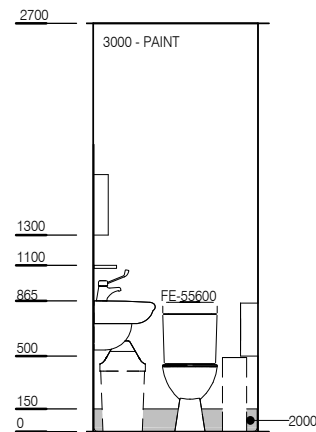
**TOILET - STAFF, 3m<sup>2</sup>**



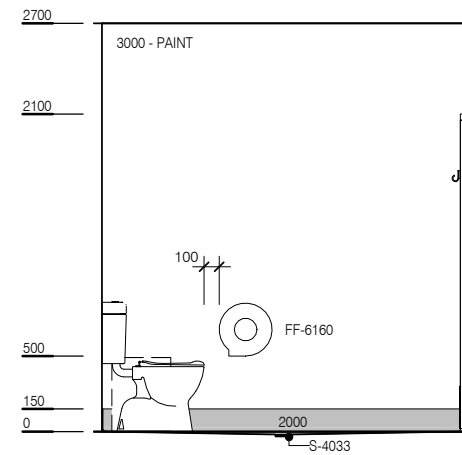
BIMID	DESCRIPTION
2000	FLOOR VINYL COVERED SKIRTING
2527	WALL SPLASHBACK
2539	DOOR PROTECTION - KICKPLATE - 2539
FE-2850	BASIN - HANDWASH, TYPE C (WITH VANITY)
FE-55600	TOILET SUITE - STANDARD
FF-3400	COAT HOOK
FF-5824	WASTE BIN, GENERAL
FF-6154	DISPENSER - HAND TOWEL
FF-6156	DISPENSER - SOAP
FF-6160	DISPENSER - TOILET PAPER LARGE
FF-13700	MIRROR
FF-19100	WASTE BIN - SANITARY
FF-19910	SHELF - VANITY
S-4033	FLOOR WASTE
S-6200	LIGHT SWITCH



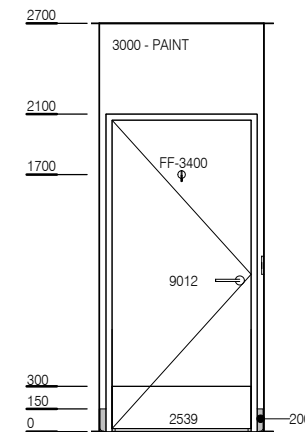
**PLAN**



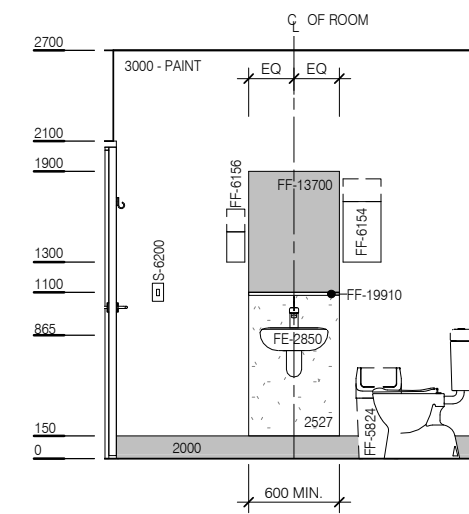
**ELEVATION 1**



**ELEVATION 2**



**ELEVATION 3**



**ELEVATION 4**



REV	DESCRIPTION	DATE
3	This RLS has been reviewed, redocumented and reissued	01.03.2016

**FOR GUIDANCE**

SCALE	RLS Room Code	Room Tag	REV
1 : 50 @ A3	WCST	1.236	3