

AUSTRALASIAN HFG STANDARD COMPONENTS

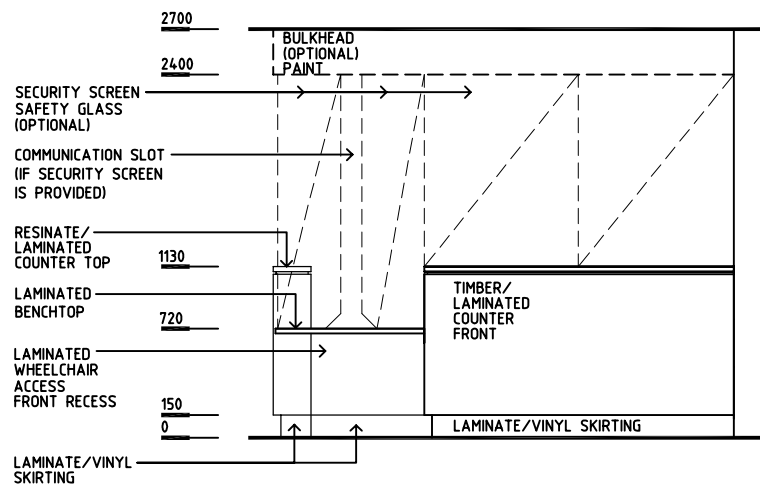
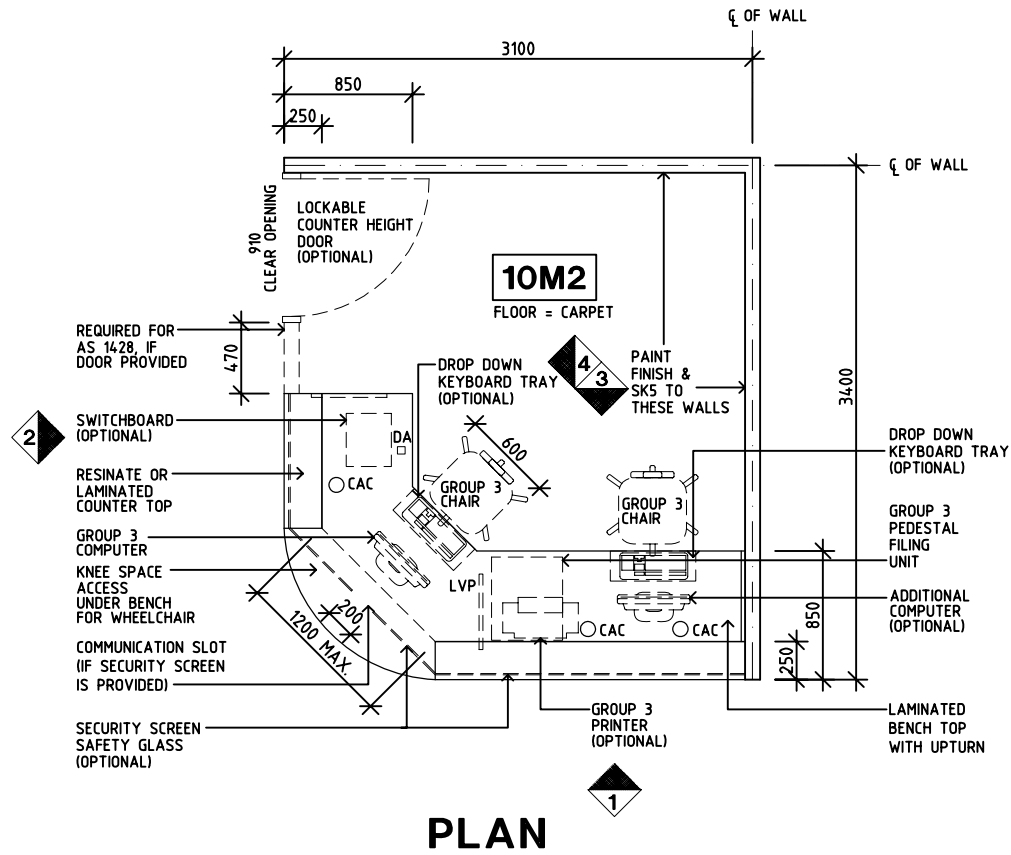
Room Layout Sheet

Room Name **Reception / Clerical, 10m2**

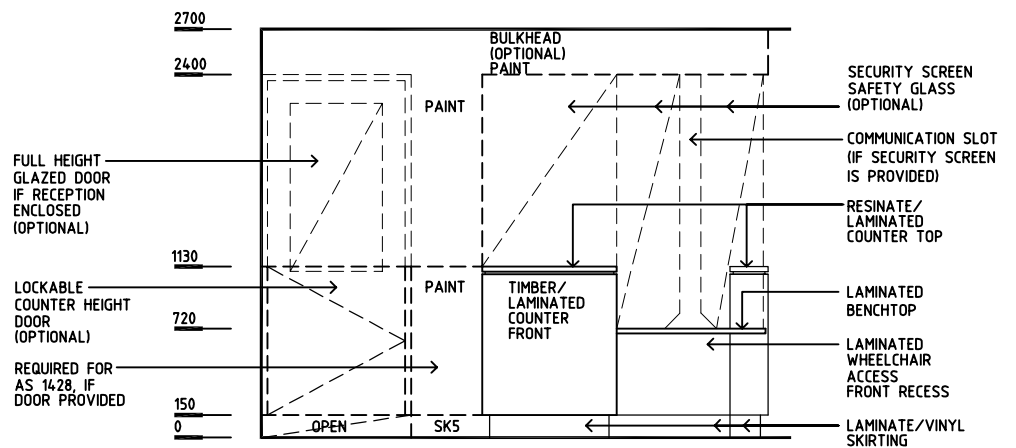
RLS Room Code **RECL-10**

RDS Room Code **RECL-10**

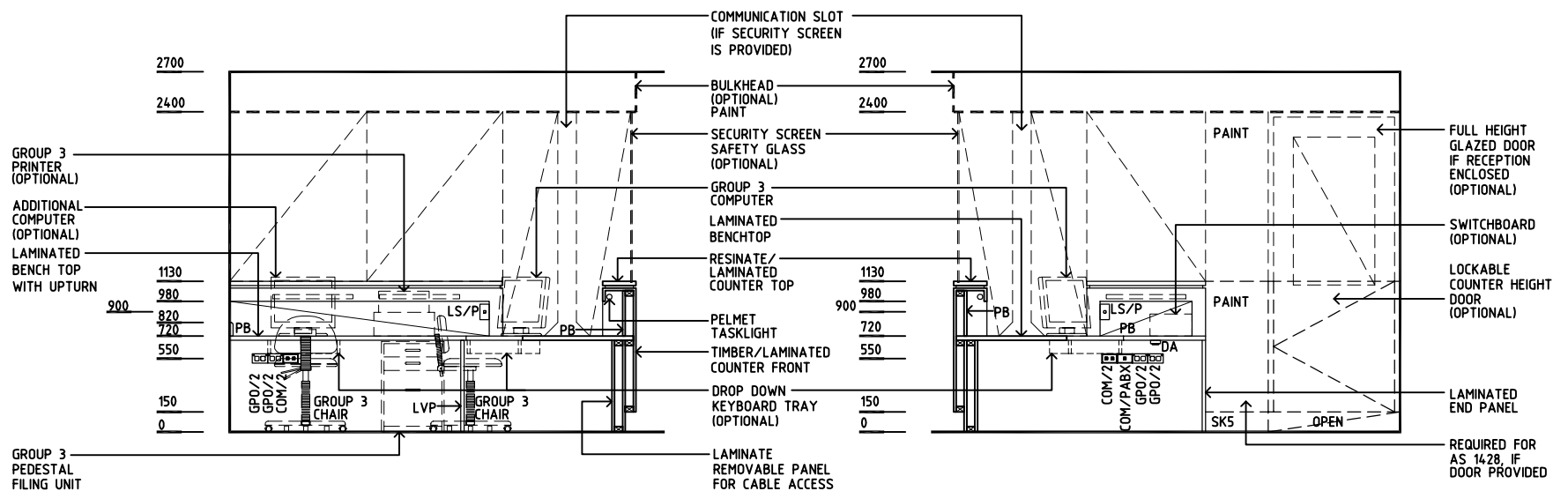
- CAC CABLE ACCESS CAP
- COM/PABX COMMUNICATION OUTLET FOR PABX
- COM/2 COMMUNICATION OUTLET - DOUBLE
- DA DURESS ALARM
- GP0/2 GENERAL PURPOSE OUTLET - DOUBLE
- LS/P LIGHT SWITCH - PELMET TASK LIGHT
- LVP LAMINATED VERTICAL SUPPORT PANEL
- PB PINBOARD
- SK5 VINYL FEATHER EDGE SKIRTING



ELEVATION 1



ELEVATION 2



ELEVATION 3

ELEVATION 4

REV	DESCRIPTION	DATE	BY	REV	DESCRIPTION	DATE	BY	REV	DESCRIPTION	DATE	BY
1	FIRST ISSUE	8.12.03	CC								
2	GENERAL REVISIONS INCL NAME CHANGE	10.6.05	AL								
3	2009 AUS HFG REVIEW, GENERAL REVISIONS	10.03.09	KC								



DESIGNED	APPROVED	SCALE(S)	ZONE(S)
CC/JMH	DB	150 in A3	
CAD FILE NAME RECL-10		PAPER DRAWING ID RECL-10	