

AUSTRALASIAN HFG STANDARD COMPONENTS

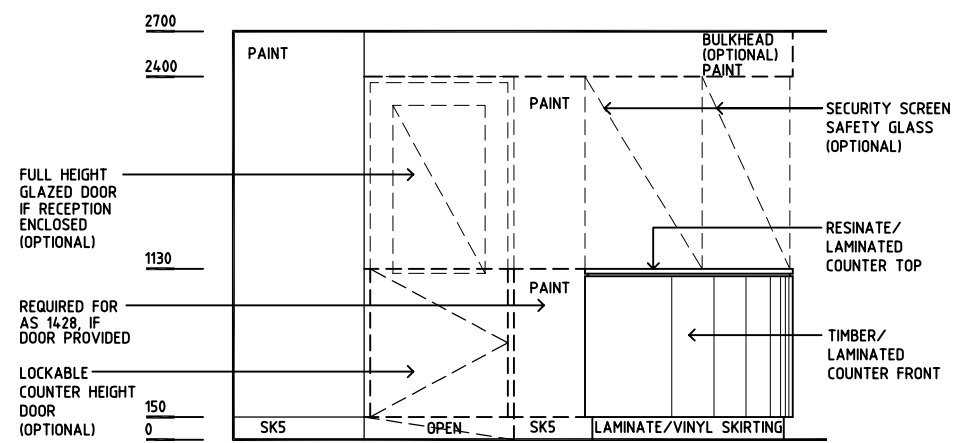
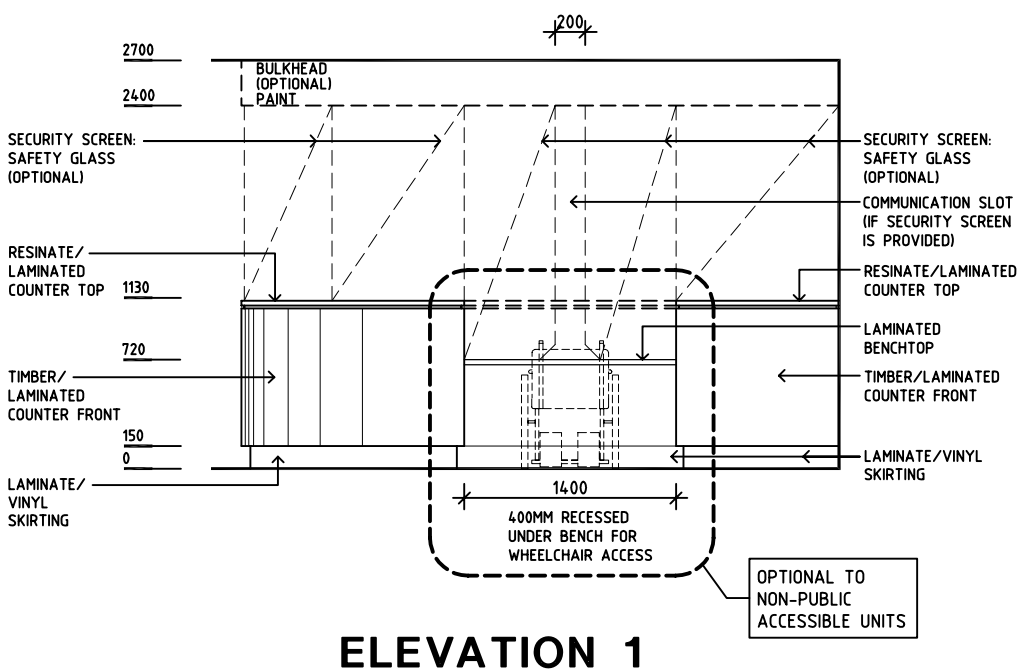
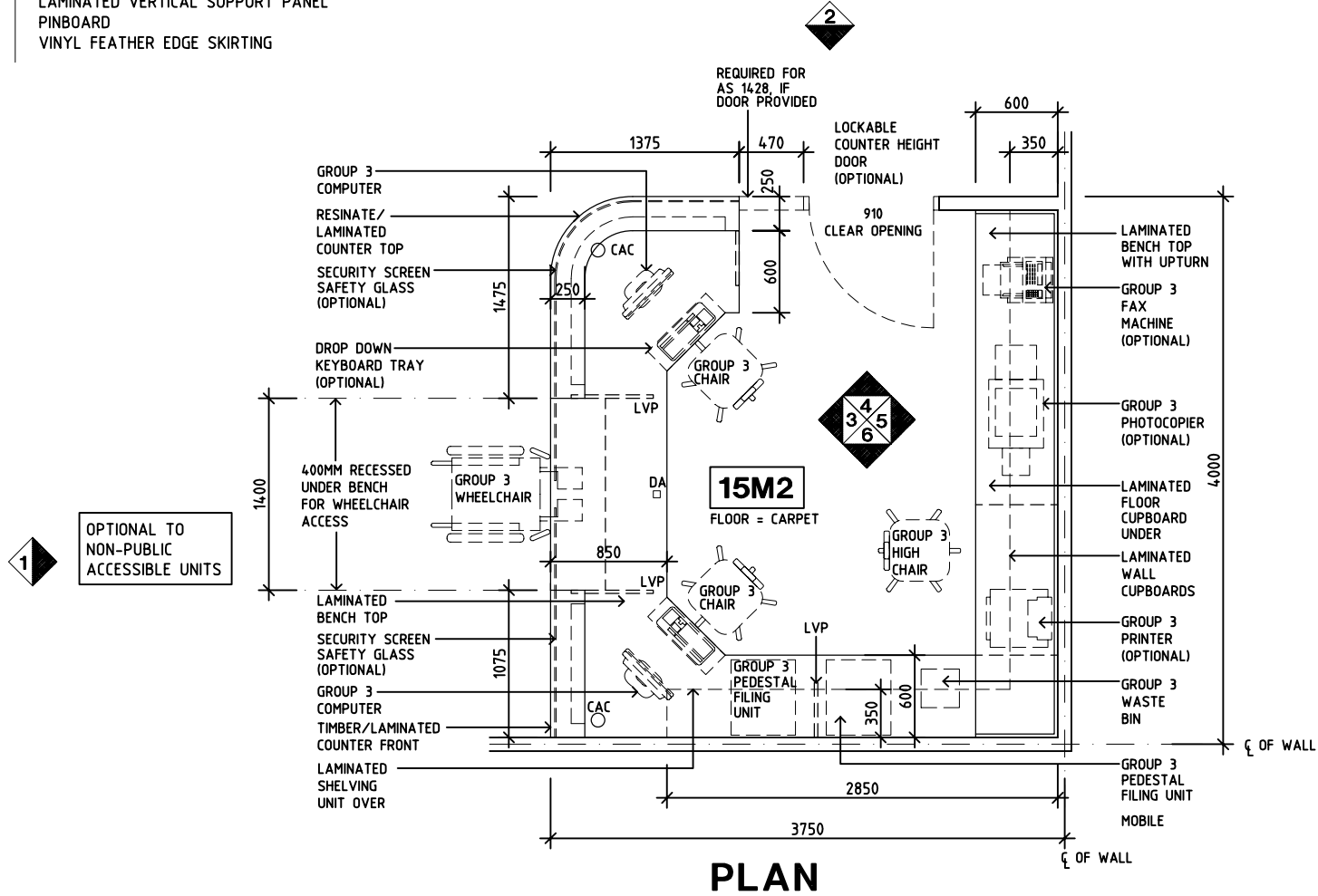
Room Layout Sheet

Room Name **Reception/ Clerical, 15m2**

RLS Room Code **RECL-15**

RDS Room Code **RECL-15**

- AS ADJUSTABLE SHELF
- CAC CABLE ACCESS CAP
- COM/2 COMMUNICATIONS/DATA OUTLET, DOUBLE
- DA DURESS ALARM
- GPO/2 GENERAL PURPOSE OUTLET, DOUBLE
- LS/P LIGHT SWITCH - PELMET TASK LIGHT
- LVP LAMINATED VERTICAL SUPPORT PANEL
- PB PINBOARD
- SK5 VINYL FEATHER EDGE SKIRTING



ELEVATION 1

ELEVATION 2

REV	DESCRIPTION	DATE	BY	REV	DESCRIPTION	DATE	BY	REV	DESCRIPTION	DATE	BY
1	FIRST ISSUE	29.7.05	HS								
2	SECOND ISSUE	26.4.06	ADS								
3	2009 AUS HFG REVIEW, GENERAL REVISION	10.03.09	KC								



DESIGNED	APPROVED	SCALE(S)	ZONE(S)
JMH/HS	DB	150 in A3	
CAD FILE NAME		PAPER DRAWING ID	
RECL-15		RECL-15a	

AUSTRALASIAN HFG STANDARD COMPONENTS

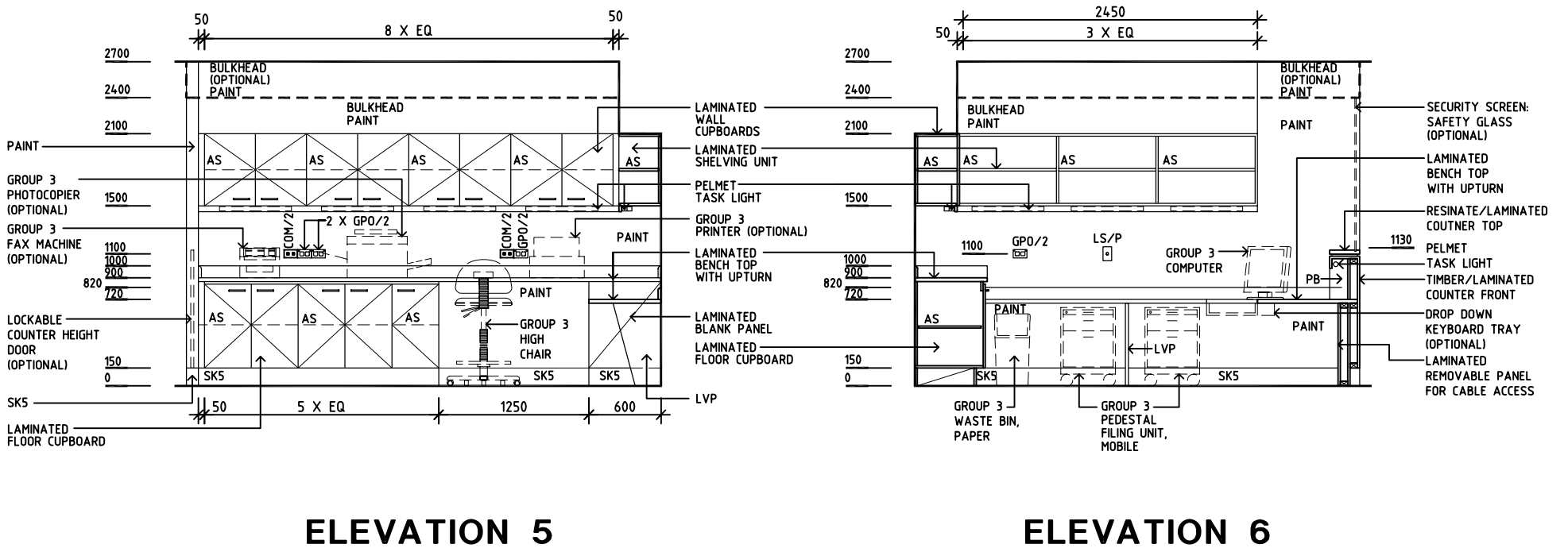
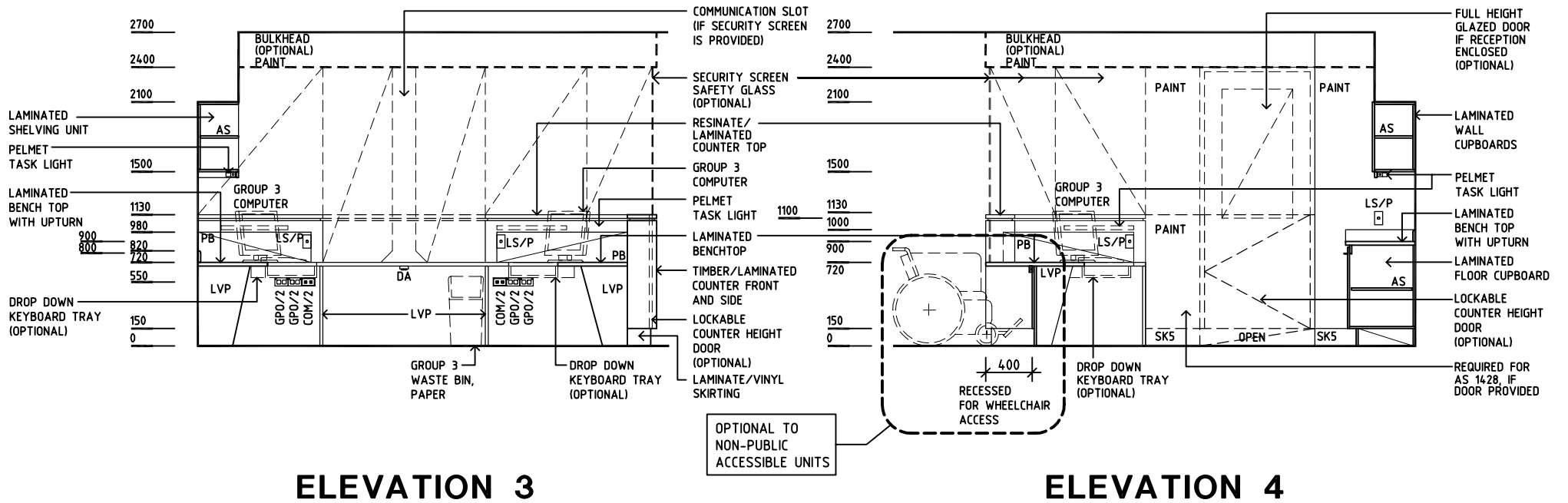
Room Layout Sheet

Room Name **Reception/ Clerical, 15m2**

RLS Room Code **RECL-15**

RDS Room Code **RECL-15**

- AS ADJUSTABLE SHELF
- CAC CABLE ACCESS CAP
- COM/2 COMMUNICATIONS/DATA OUTLET, DOUBLE
- DA DURESS ALARM
- GPO/2 GENERAL PURPOSE OUTLET, DOUBLE
- LS/P LIGHT SWITCH - PELMET TASK LIGHT
- LVP LAMINATED VERTICAL SUPPORT PANEL
- PB PINBOARD
- SK5 VINYL FEATHER EDGE SKIRTING



REV	DESCRIPTION	DATE	BY	REV	DESCRIPTION	DATE	BY	REV	DESCRIPTION	DATE	BY
1	FIRST ISSUE	29.7.05	HS								
2	SECOND ISSUE	26.4.06	ADS								
3	2009 AUS HFG REVIEW, GENERAL REVISION	10.03.09	KC								

Australasian HFG

AHIA in association with
UNSW



DESIGNED	APPROVED	SCALE(S)	ZONE(S)
JMH/HS	DB	150 in A3	
CAD FILE NAME RECL-15		PAPER DRAWING ID RECL-15b	

This document is for advisory purpose only