

AUSTRALASIAN HFG STANDARD COMPONENTS

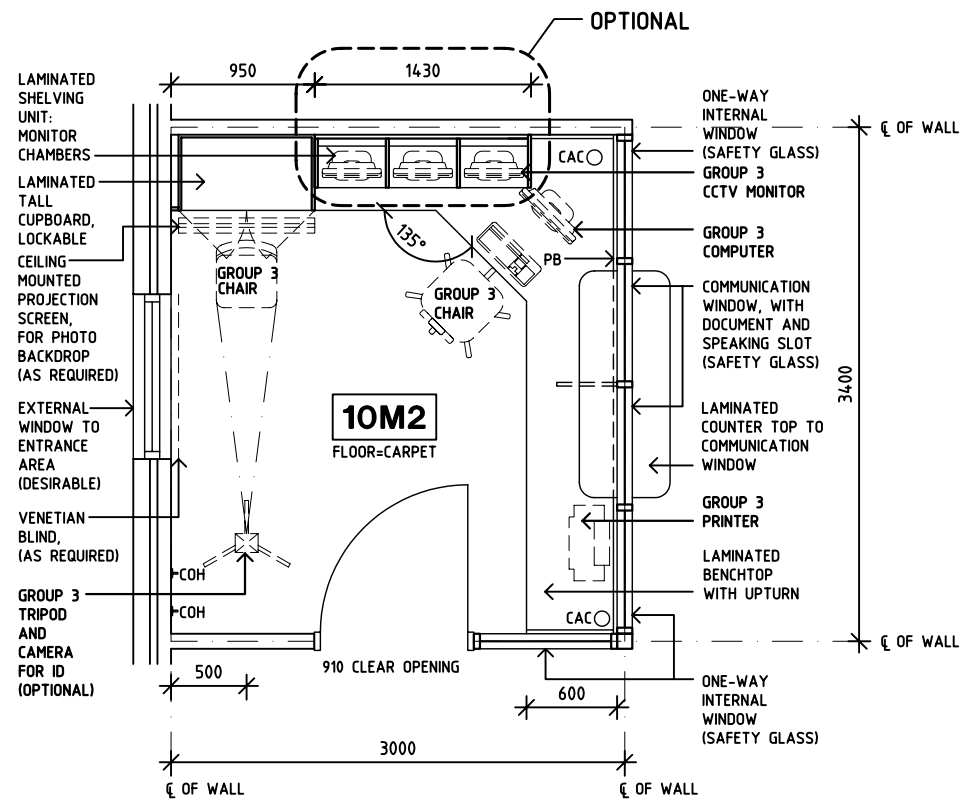
Room Layout Sheet

Room Name **Security Room, 10m2**

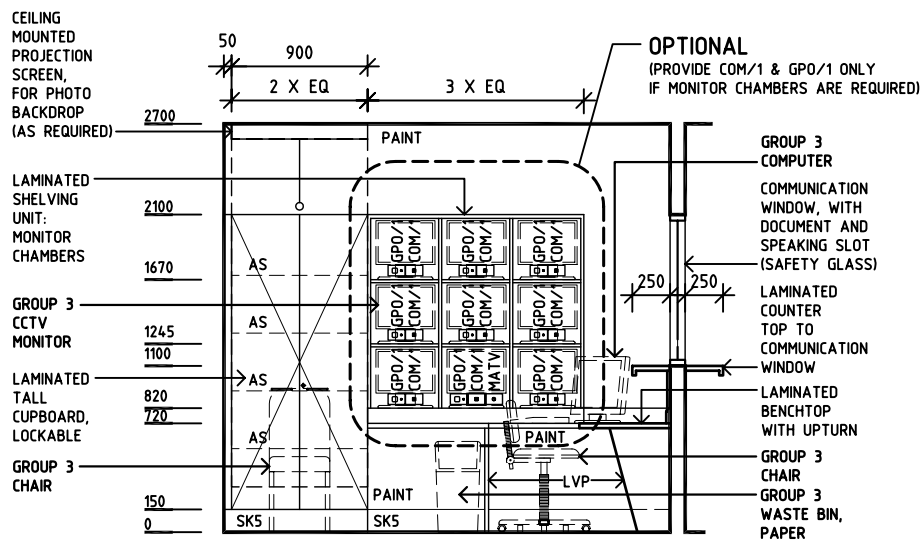
RLS Room Code **SECR-10**

RDS Room Code **SECR-10**

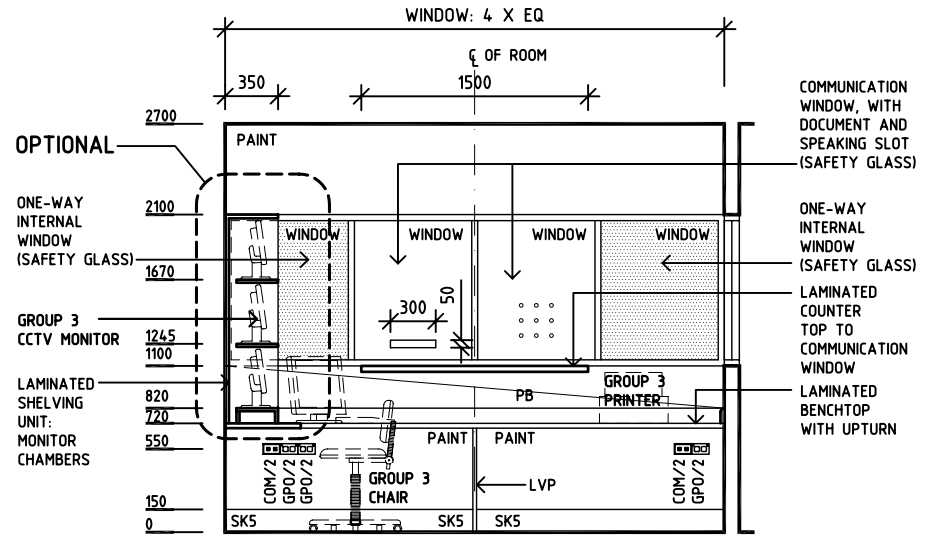
- AS ADJUSTABLE SHELVES
- CAC CABLE ACCESS CAP
- COH COAT HOOK
- COM/1 COMMUNICATION OUTLET, SINGLE
- COM/2 COMMUNICATION OUTLET, DOUBLE
- GPO/1 GENERAL PURPOSE OUTLET-SINGLE
- GPO/2 GENERAL PURPOSE OUTLET-DOUBLE
- LS LIGHT SWITCH
- LVP LAMINATE VERTICAL PANEL
- MATV MASTER ANTENNA TV OUTLET
- OP OBSERVATION PANEL
- PB PINBOARD
- SK5 FEATHER EDGE VINYL SKIRTING



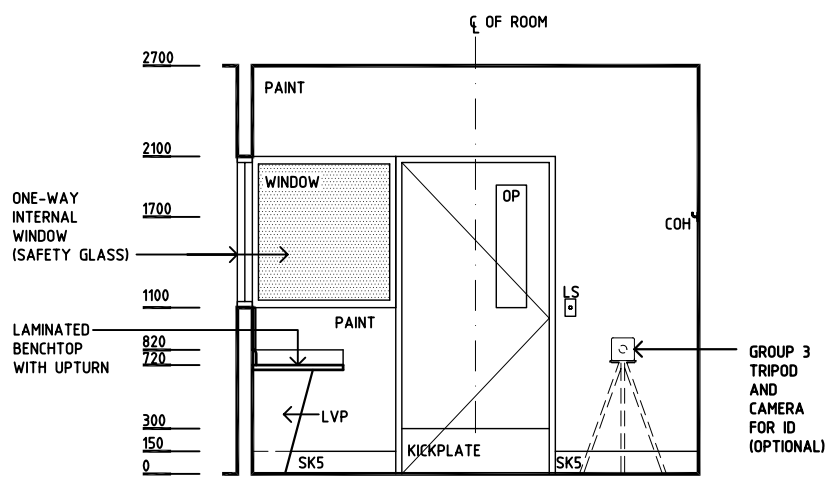
PLAN



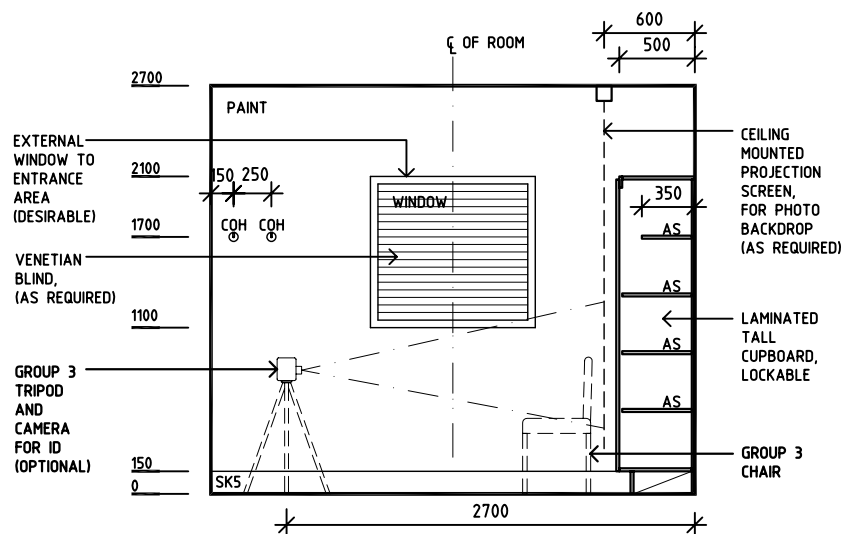
ELEVATION 1



ELEVATION 2



ELEVATION 3



ELEVATION 4

REV	DESCRIPTION	DATE	BY	REV	DESCRIPTION	DATE	BY	REV	DESCRIPTION	DATE	BY
1	FIRST ISSUE	29.07.05	HS								

Australasian HFG

HCAMC in association with **UNSW**

HPI

DESIGNED	APPROVED	SCALE(S)	ZONE(S)
BJ/HS	DB	1:50 in A3	
CAD FILE NAME		PAPER DRAWING ID	
SECR-10		SECR-10	