

AUSTRALASIAN HFG STANDARD COMPONENTS

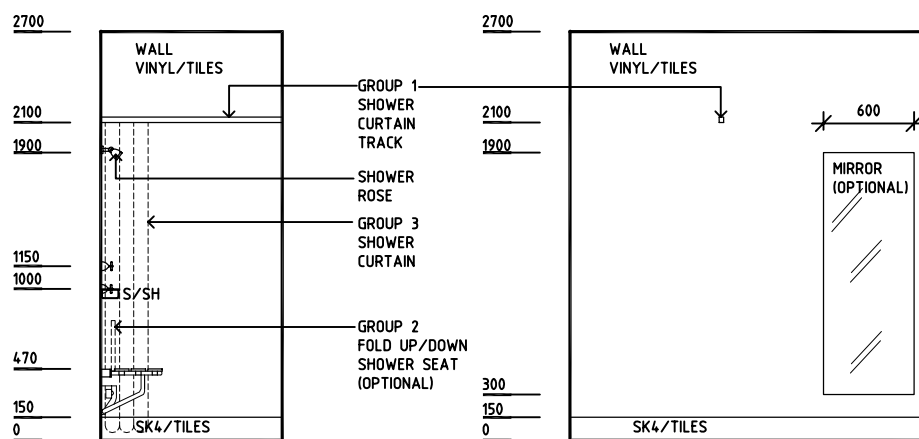
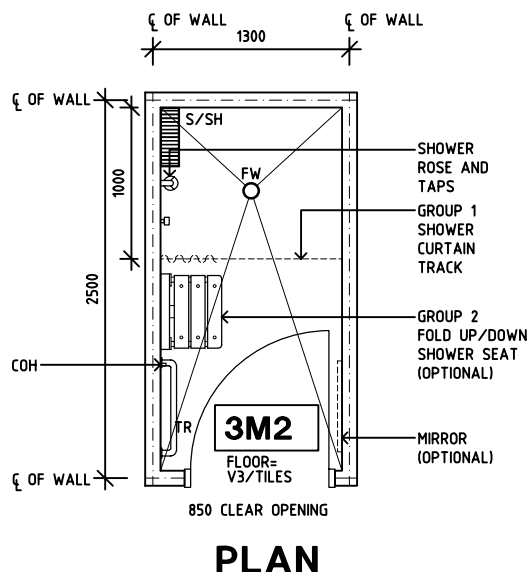
Room Layout Sheet

Room Name **Shower - Staff**

RLS Room Code **SHST**

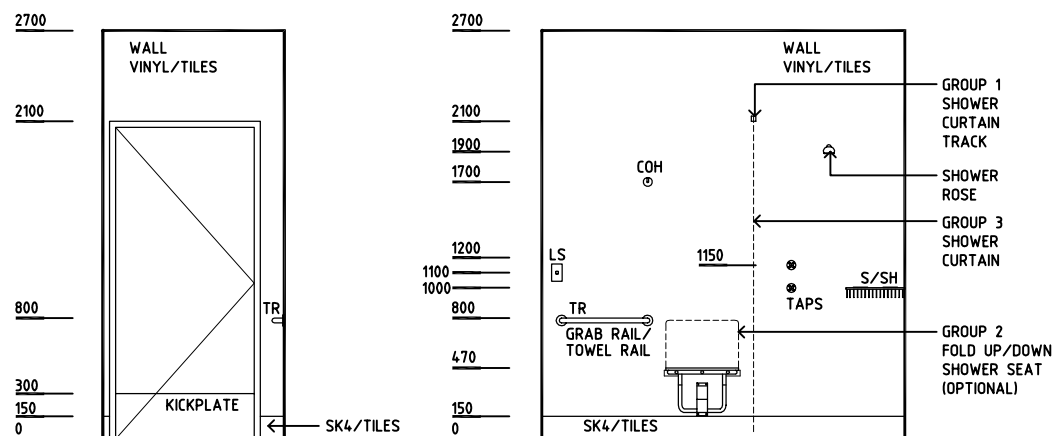
RDS Room Code **SHST**

- COH COAT HOOK
- FW FLOOR WASTE
- LS LIGHT SWITCH
- SK4 FLOOR VINYL COVERED SKIRTING
- S/SH SOAP AND SHAMPOO HOLDER
- TR TOWEL RAIL
- V3 FLOOR VINYL, STUDDED



ELEVATION 1

ELEVATION 2



ELEVATION 3

ELEVATION 4

REV	DESCRIPTION	DATE	BY	REV	DESCRIPTION	DATE	BY	REV	DESCRIPTION	DATE	BY
1	FIRST ISSUE	10.12.03	AA		ROOM AREA INCREASED FROM 2M2 TO 3M2						
2	GENERAL REVISIONS	13.5.05	AL								
3	2009 AUS HFG REVIEW, COH CHANGED TO TR,	10.03.09	KC								



DESIGNED	APPROVED	SCALE(S)	ZONE(S)
AA	DB	150 in A3	
CAD FILE NAME SHST		PAPER DRAWING ID SHST	