

AUSTRALASIAN HFG STANDARD COMPONENTS

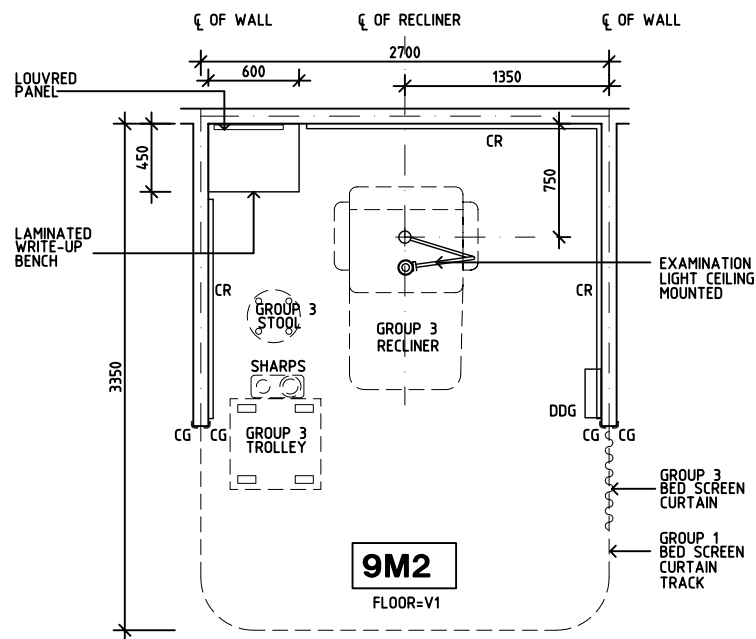
Room Layout Sheet

Room Name **Specimen Collection Bay, 9m2**

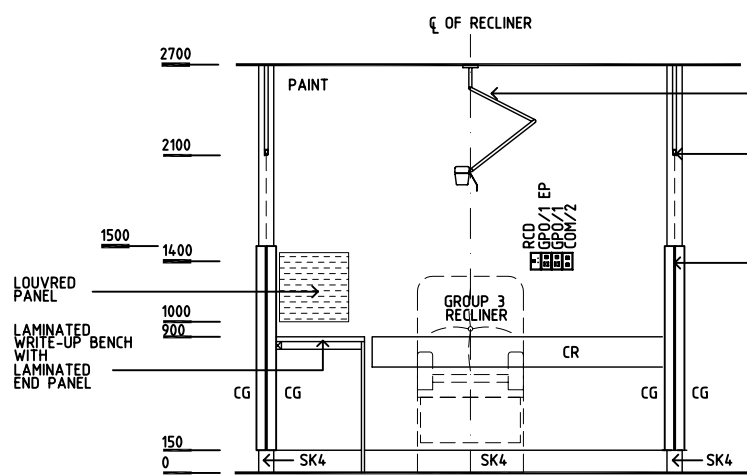
RLS Room Code **SPECC**

RDS Room Code **SPECC**

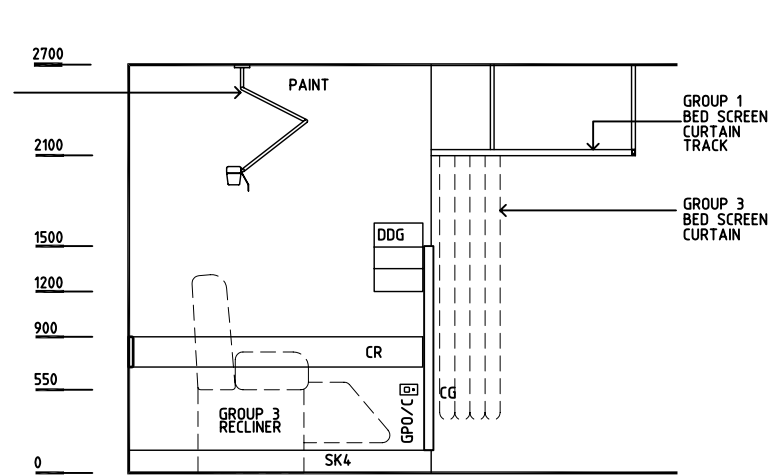
- CG CORNER GUARD
- CR CRASH RAIL
- COM/2 COMMUNICATION OUTLET - DOUBLE
- DDG DISPENSER - DISPOSABLE GLOVE
- GPO/1 GENERAL PURPOSE OUTLET, SINGLE
- GPO/1 EP EMERGENCY POWER, SINGLE
- GPO/C GENERAL PURPOSE OUTLET, CLEANER'S
- RCD RESIDUAL CURRENT DEVICE
- SK4 FLOOR VINYL COVERED SKIRTING
- V1 VINYL FLOORING, STANDARD



PLAN



ELEVATION 1



ELEVATION 2

REV	DESCRIPTION	DATE	BY	REV	DESCRIPTION	DATE	BY	REV	DESCRIPTION	DATE	BY
1	FIRST ISSUE	13.7.05	AL								
2	SECOND ISSUE	26.4.06	ADS								



HCAMC in association with
UNSW

HPI

DESIGNED	APPROVED	SCALE(S)	ZONE(S)
CC/AL	DB	1:50 in A3	
CAD FILE NAME SPECC		PAPER DRAWING ID SPECC	