

AUSTRALASIAN HFG STANDARD COMPONENTS

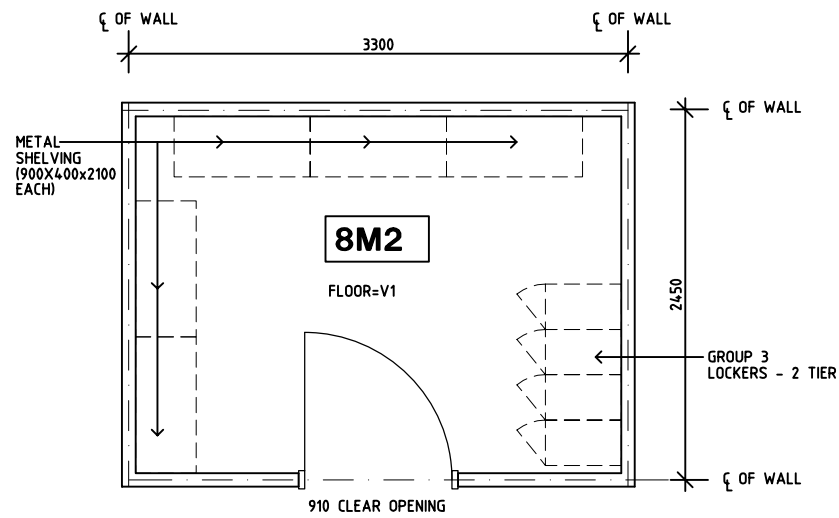
Room Layout Sheet

Room Name **Store - Patient Property**

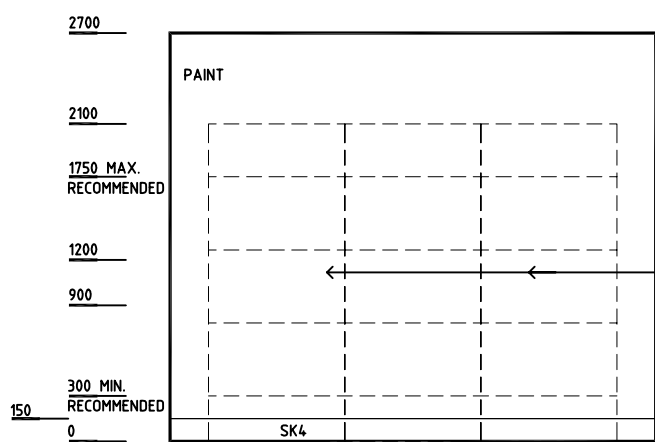
RLS Room Code **STPP**

RDS Room Code **STPP**

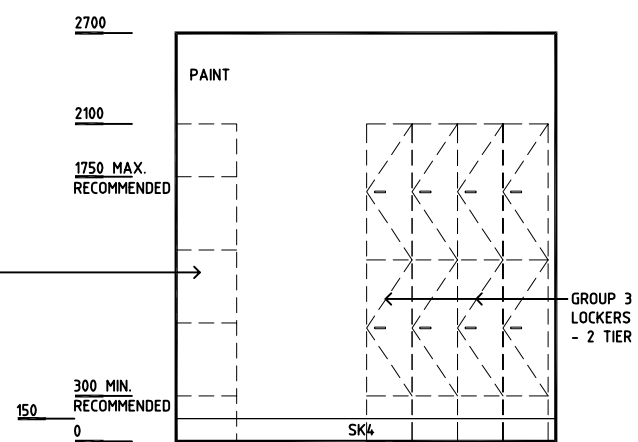
- DP DOOR AND FRAME PROTECTION
- GP0/2 GENERAL POWER OUTLET-DOUBLE
- LS LIGHT SWITCH
- SK4 FLOOR VINYL COVERED SKIRTING
- V1 VINYL FLOORING, STANDARD



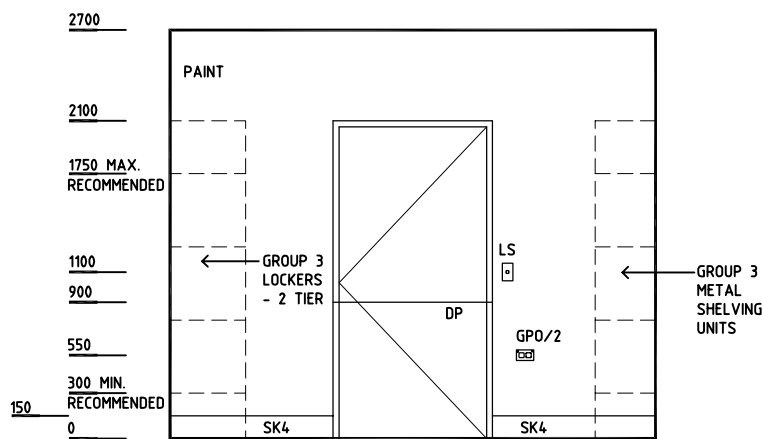
PLAN



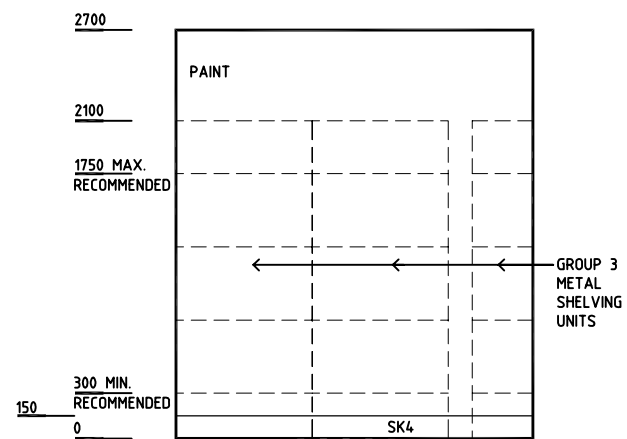
ELEVATION 1



ELEVATION 2



ELEVATION 3



ELEVATION 4

REV	DESCRIPTION	DATE	BY	REV	DESCRIPTION	DATE	BY	REV	DESCRIPTION	DATE	BY
1	FIRST ISSUE	19.7.05	BJ								
2	SECOND ISSUE	26.4.06	ADS								
3	GENERAL REVISION	14.8.08	CX								

			DESIGNED	APPROVED	SCALE(S)	ZONE(S)
			AL	DB	150 in A3	
CAD FILE NAME			PAPER DRAWING ID			
STPP			STPP			