

# AUSTRALASIAN HFG STANDARD COMPONENTS

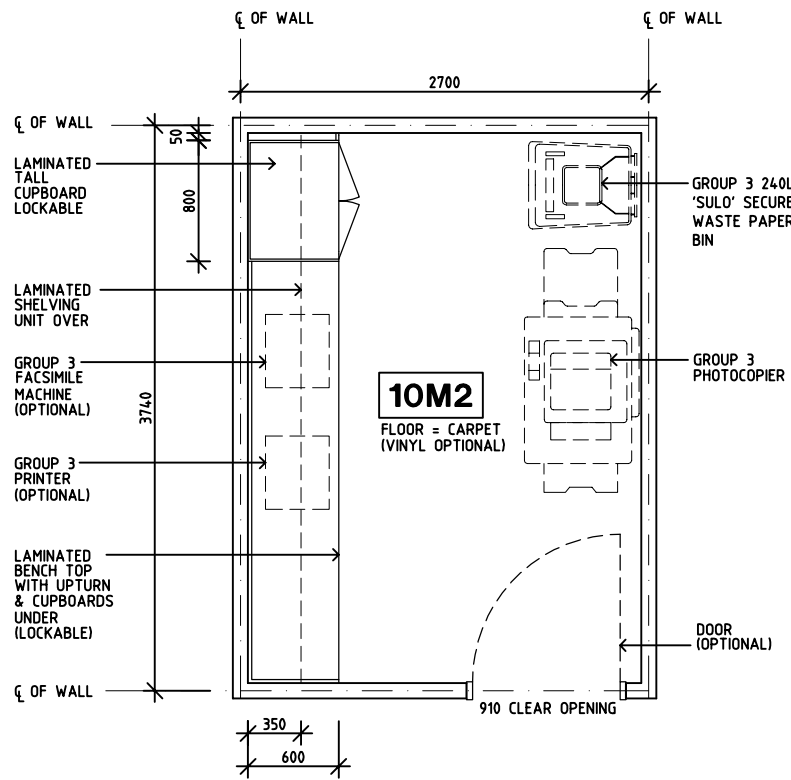
Room Layout Sheet

Room Name **Store - Photocopy / Stationery, 10m2**

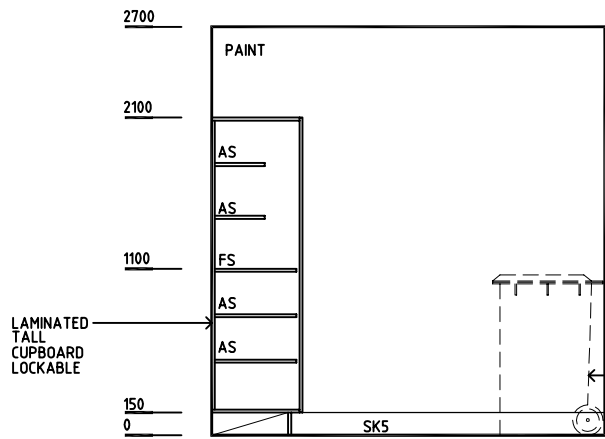
RLS Room Code **STPS-10**

RDS Room Code **STPS-10**

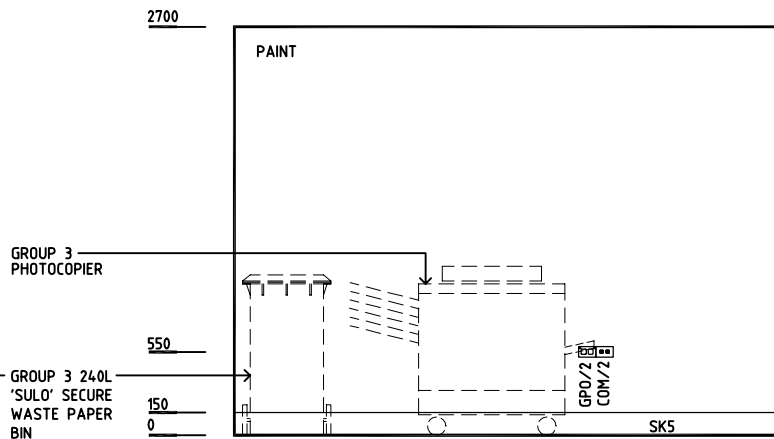
- AS ADJUSTABLE SHELF
- COM/2 COMMUNICATION OUTLET - DOUBLE
- GPO/2 GENERAL PURPOSE OUTLET - DOUBLE
- LS/P LIGHT SWITCH - PELMET TASK LIGHT
- LS/R LIGHT SWITCH - ROOM
- SK5 FEATHER EDGE VINYL SKIRTING



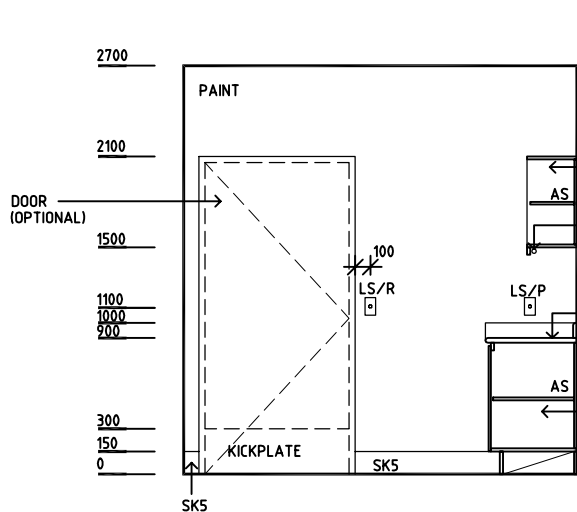
**PLAN**



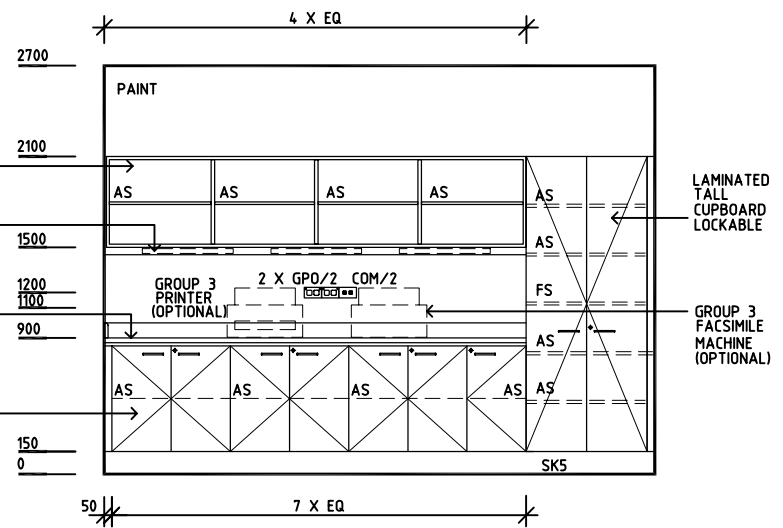
**ELEVATION 1**



**ELEVATION 2**



**ELEVATION 3**



**ELEVATION 4**

REV	DESCRIPTION	DATE	BY	REV	DESCRIPTION	DATE	BY	REV	DESCRIPTION	DATE	BY
1	FIRST ISSUE	14.8.08	CX								



DESIGNED CX	APPROVED DB	SCALE(S) 150 in A3	ZONE(S)
CAD FILE NAME STPS-10		PAPER DRAWING ID STPS-10	

This document is for advisory purpose only