

AUSTRALASIAN HFG STANDARD COMPONENTS

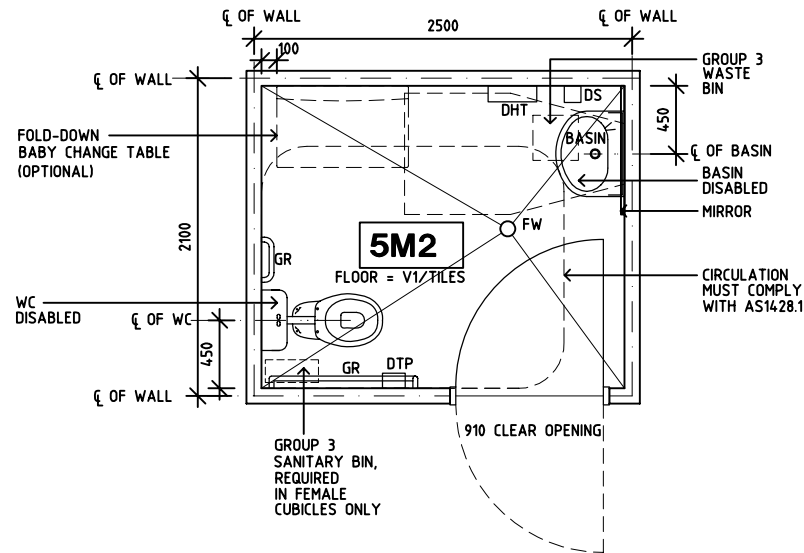
Room Layout Sheet

Room Name **Toilet - Accessible**

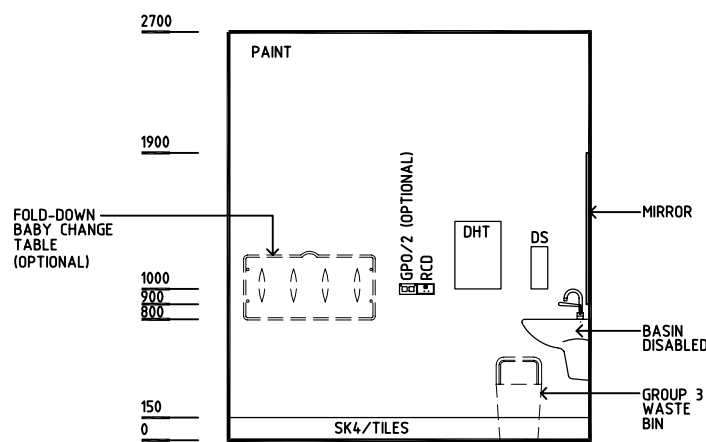
RLS Room Code **WCAC**

RDS Room Code **WCAC**

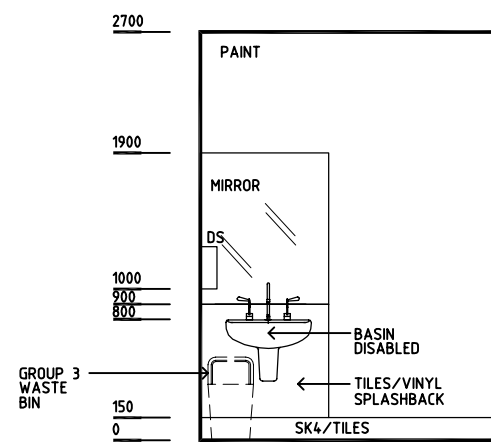
- COH COAT HOOK
- DHT DISPENSER - HAND TOWEL
- DP DOOR AND DOOR FRAME PROTECTION
- DS DISPENSER - SOAP
- DTP DISPENSER - TOILET PAPER
- EC EMERGENCY CALL (OPTIONAL)
- FW FLOOR WASTE
- GPO/2 GENERAL POWER OUTLET - DOUBLE
- GR GRAB RAIL
- LS LIGHT SWITCH
- NA NURSE ASSIST CALL (OPTIONAL)
- NC PATIENT/NURSE CALL (OPTIONAL)
- SK4 FLOOR VINYL COVERED SKIRTING
- V1 FLOOR VINYL - STANDARD



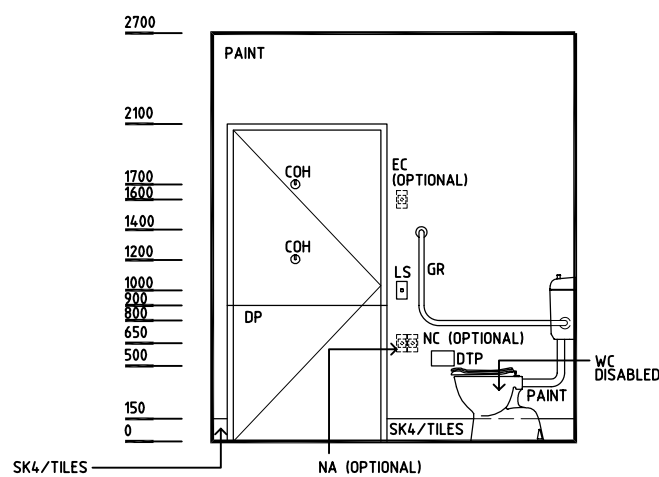
PLAN



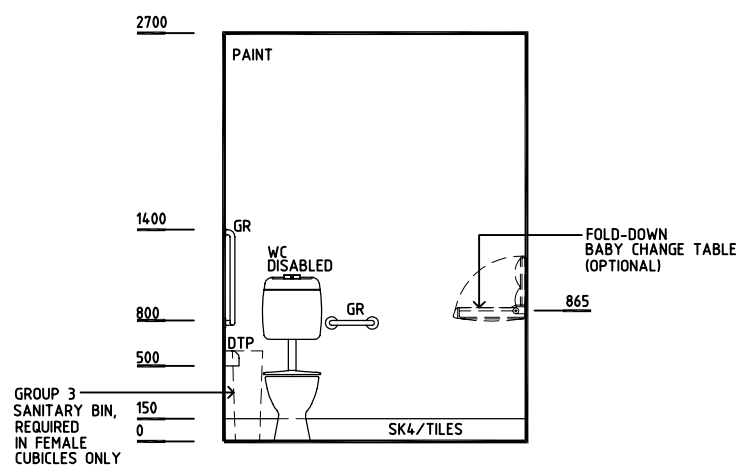
ELEVATION 1



ELEVATION 2



ELEVATION 3



ELEVATION 4

REV	DESCRIPTION	DATE	BY	REV	DESCRIPTION	DATE	BY	REV	DESCRIPTION	DATE	BY
1	FIRST ISSUE	15.12.03	AA	4	2009 AUS HFG REVIEW, TITLE CHANGED	10.03.09	CT				
2	GENERAL REVISIONS TO COMPLY WITH AS1428	27.5.05	BJ								
3	GENERAL REVISIONS	27.5.05	EH								



DESIGNED	APPROVED	SCALE(S)	ZONE(S)
CC	DB	150 in A3	
CAD FILE NAME WCAC		PAPER DRAWING ID WCAC	