

AUSTRALASIAN HFG STANDARD COMPONENTS

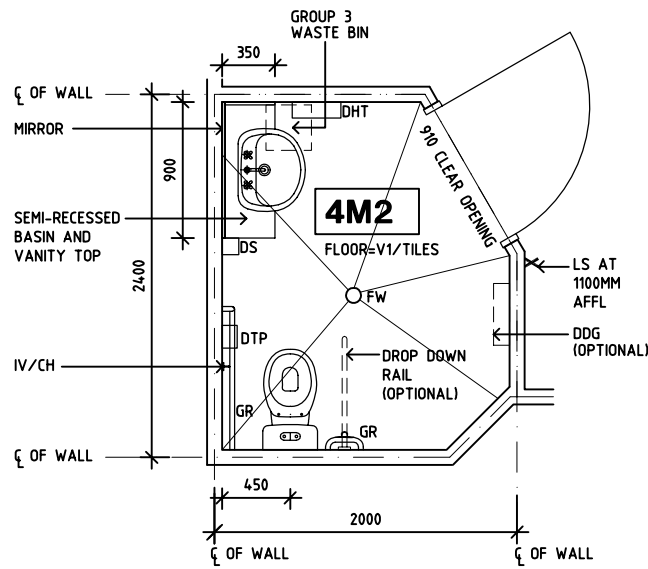
Room Layout Sheet

Room Name **Toilet - Patient**

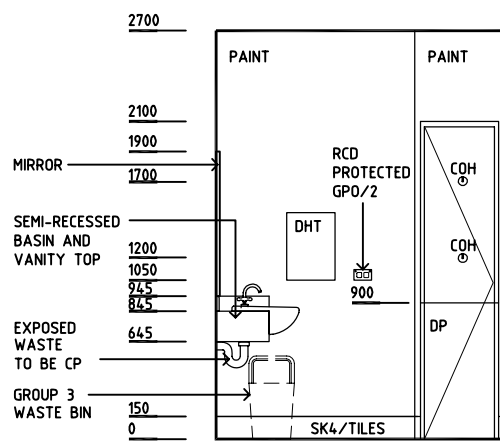
RLS Room Code **WCPT**

RDS Room Code **WCPT**

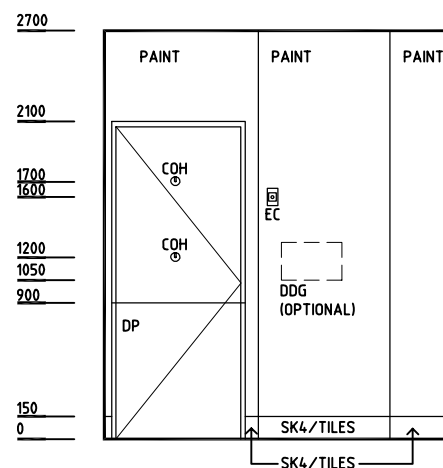
- CH CATHETER HOOK
- COH COAT HOOK
- CP CHROME PLATED
- DDG DISPENSER - DISPOSABLE GLOVE
- DHT DISPENSER - HAND TOWEL
- DP DOOR AND DOOR FRAME PROTECTION
- DS DISPENSER - SOAP
- DTP DISPENSER - TOILET PAPER
- EC EMERGENCY CALL
- FW FLOOR WASTE
- GPO/2 GENERAL POWER OUTLET - DOUBLE
- GR GRAB RAIL
- IV IV HOOK
- LS LIGHT SWITCH
- NA NURSE ASSIST CALL
- NC PATIENT/NURSE CALL
- SK4 VINYL COVERED FLOOR SKIRTING
- V1 FLOOR VINYL, STANDARD



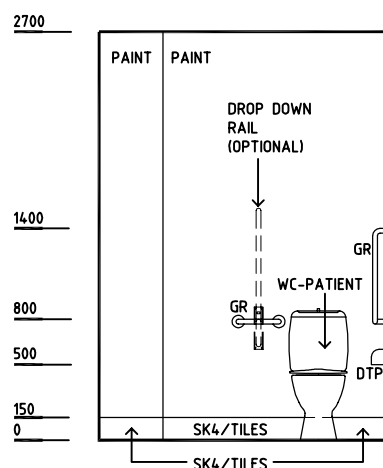
PLAN



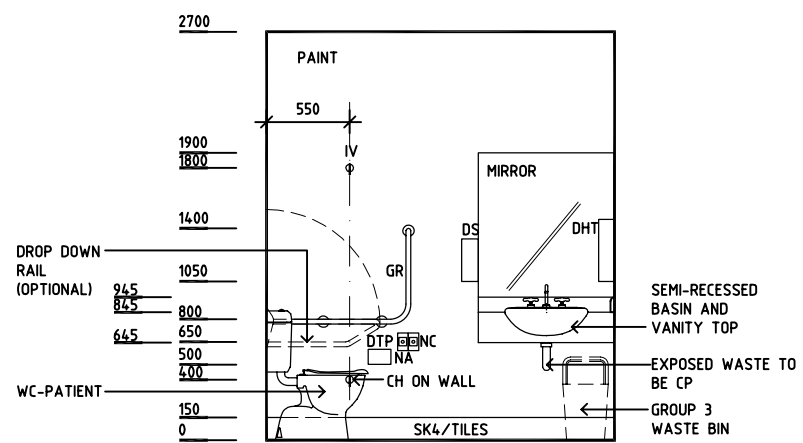
ELEVATION 1



ELEVATION 2



ELEVATION 3



ELEVATION 4

REV	DESCRIPTION	DATE	BY	REV	DESCRIPTION	DATE	BY	REV	DESCRIPTION	DATE	BY
1	FIRST ISSUE	07.10.03	AL	4	GENERAL REVISIONS	20.5.05	HS	7	2009 AUS HFG REVIEW, GENERAL REVISIONS	10.03.09	KC
2	GENERAL REVISIONS	17.12.03	AL	5	GENERAL REVISIONS	24.5.05	AL				
3	GENERAL REVISIONS	9.2.05	BJ	6	GENERAL REVISIONS	3.8.05	AL				



DESIGNED	APPROVED	SCALE(S)	ZONE(S)
AL/BJ/HS	DB	150 in A3	
CAD FILE NAME WCPT		PAPER DRAWING ID WCPT	