

AUSTRALASIAN HFG STANDARD COMPONENTS

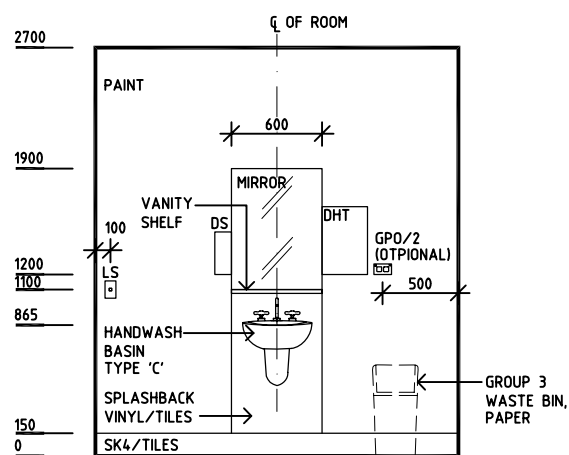
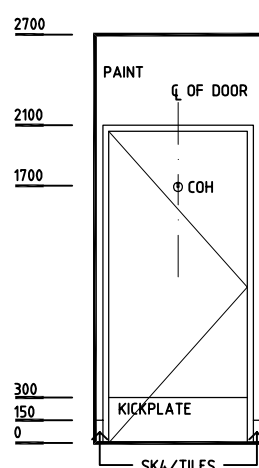
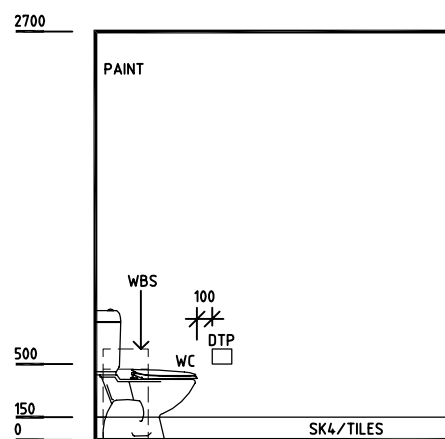
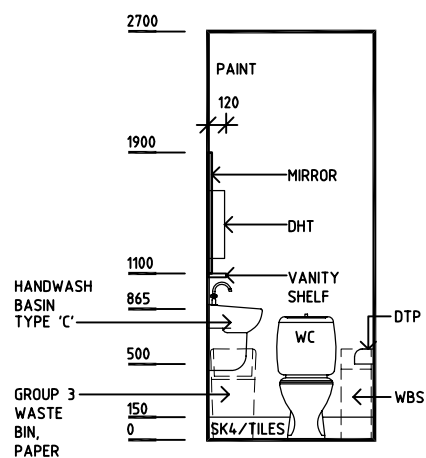
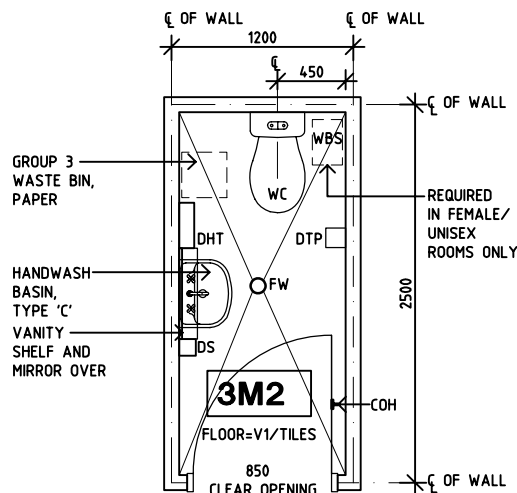
Room Layout Sheet

Room Name **Toilet - Public, 3m2**

RLS Room Code **WCPU-3**

RDS Room Code **WCPU-3**

- COH COAT HOOK
- DHT DISPENSER - HAND TOWEL
- DS DISPENSER - SOAP
- DTP DISPENSER - TOILET PAPER
- FW FLOOR WASTE
- GPO/2 GENERAL POWER OUTLET- DOUBLE
- LS LIGHT SWITCH
- SK4 FLOOR VINYL COVERED SKIRTING
- V1 FLOOR VINYL, STANDARD
- WBS WASTE BIN, SANITARY
- WC WATER CLOSET



REV	DESCRIPTION	DATE	BY	REV	DESCRIPTION	DATE	BY	REV	DESCRIPTION	DATE	BY
1	FIRST ISSUE	10.12.03	AA								
2	GENERAL REVISIONS INCLUDING NAME CHANGE	1.6.05	HS								



DESIGNED	APPROVED	SCALE(S)	ZONE(S)
AA/BJ	DB	150 in A3	
CAD FILE NAME WCPU-3		PAPER DRAWING ID WCPU-3	