

AUSTRALASIAN HFG STANDARD COMPONENTS

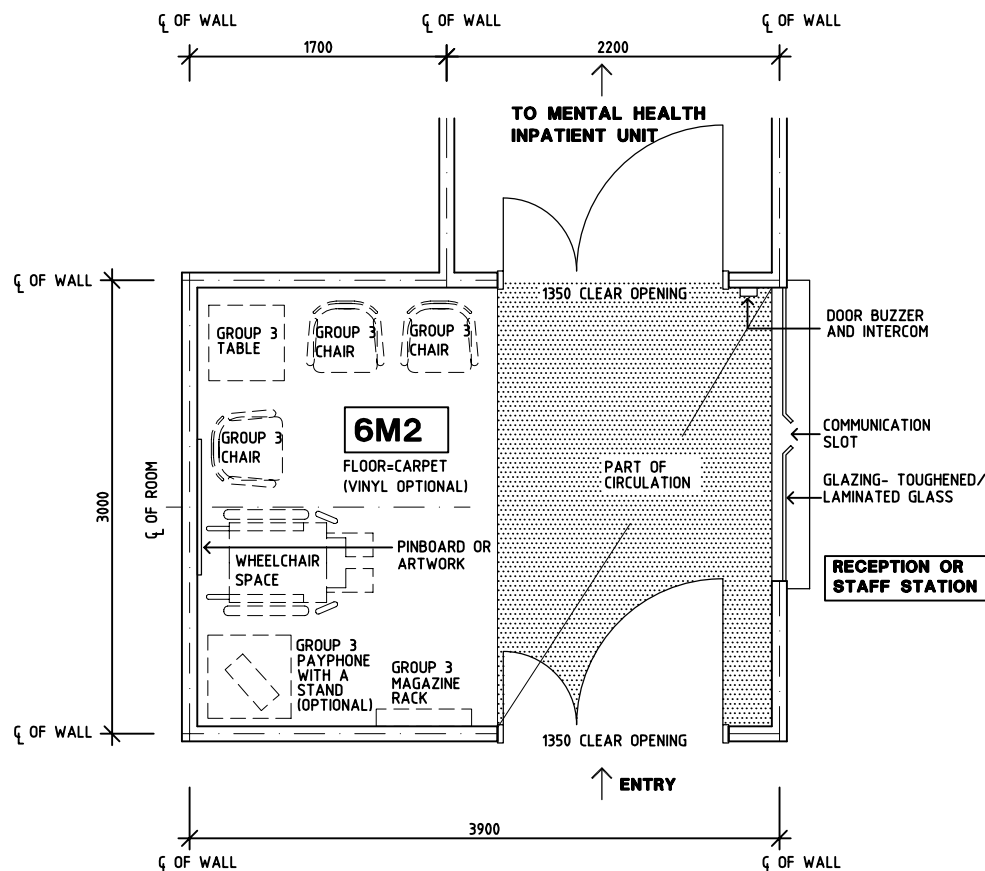
Room Layout Sheet

Room Name **Waiting - Secure**

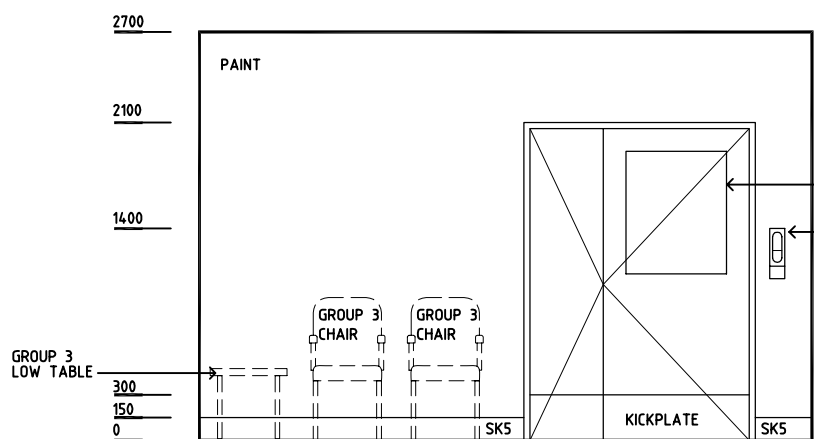
RLS Room Code **WAIT-SEC**

RDS Room Code **WAIT-SEC**

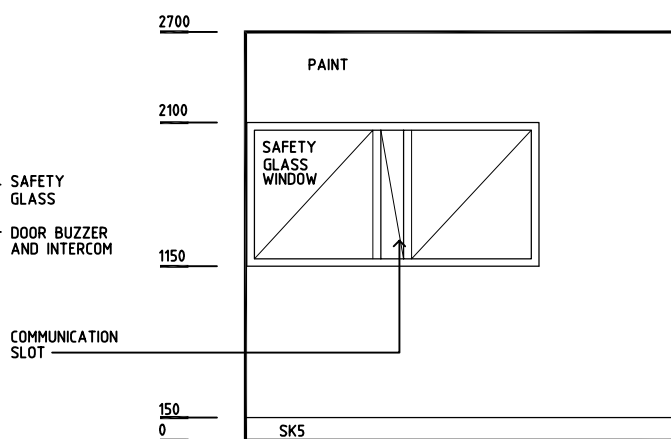
- COM/1 COMMUNICATION OUTLET, SINGLE
- GPO/2 GENERAL PURPOSE OUTLET-DOUBLE
- PB PINBOARD
- SK5 FEATHER EDGE VINYL SKIRTING



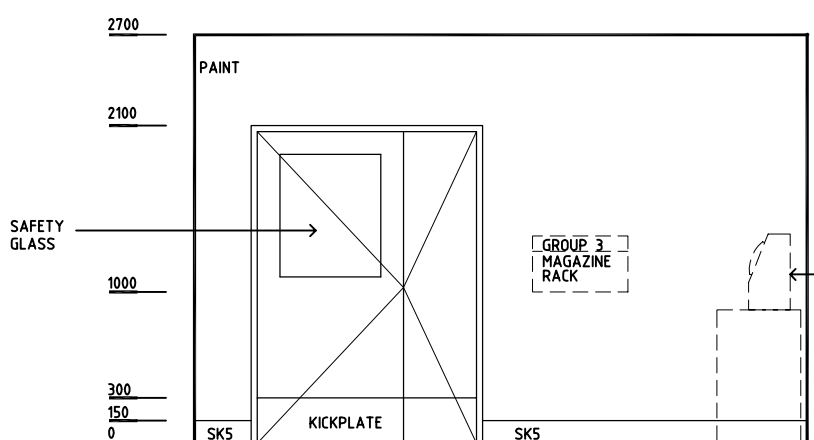
PLAN



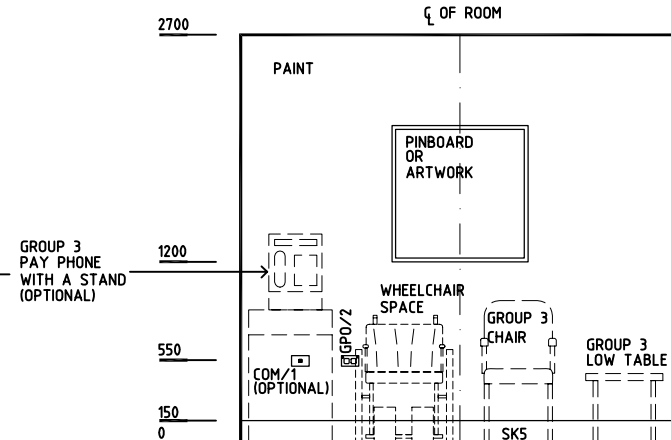
ELEVATION 1



ELEVATION 2



ELEVATION 3



ELEVATION 4

REV	DESCRIPTION	DATE	BY	REV	DESCRIPTION	DATE	BY	REV	DESCRIPTION	DATE	BY
1	FIRST ISSUE	27.7.05	JMH								



DESIGNED	APPROVED	SCALE(S)	ZONE(S)
AL	DB	150 in A3	
CAD FILE NAME WAIT-SEC		PAPER DRAWING ID WAIT-SEC	