

# AUSTRALASIAN HFG STANDARD COMPONENTS

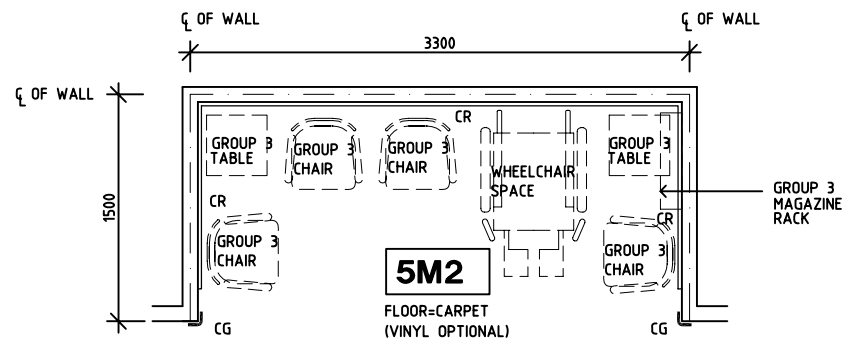
Room Layout Sheet

Room Name **Waiting - Sub**

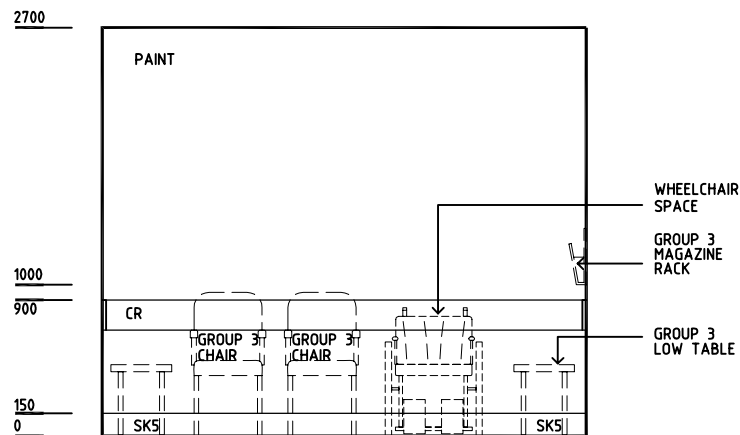
RLS Room Code **WAIT-SUB**

RDS Room Code **WAIT-SUB**

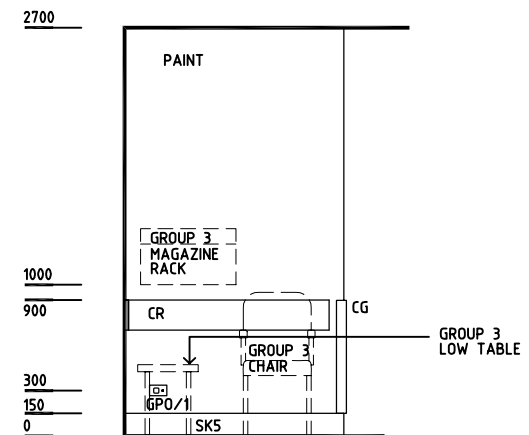
CG CORNER GUARD  
 CR CRASH RAIL  
 GPO/1 GENERAL PURPOSE OUTLET-SINGLE  
 SK5 FEATHER EDGE VINYL SKIRTING



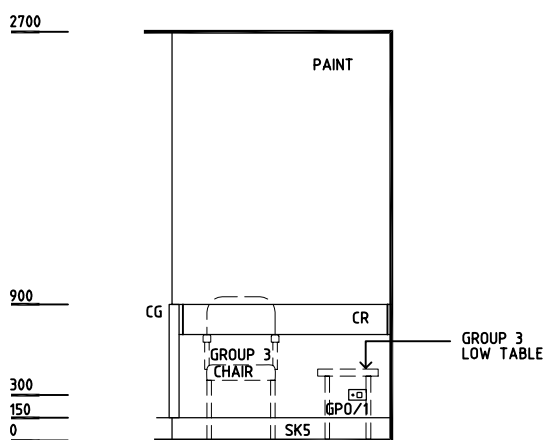
**PLAN**



**ELEVATION 1**



**ELEVATION 2**



**ELEVATION 3**

REV	DESCRIPTION	DATE	BY	REV	DESCRIPTION	DATE	BY	REV	DESCRIPTION	DATE	BY
1	FIRST ISSUE	21.7.05	BJ								



DESIGNED	APPROVED	SCALE(S)	ZONE(S)
JMH	DB	150 in A3	
CAD FILE NAME WAIT-SUB		PAPER DRAWING ID WAIT-SUB	

This document is for advisory purpose only