

AUSTRALASIAN HFG STANDARD COMPONENTS

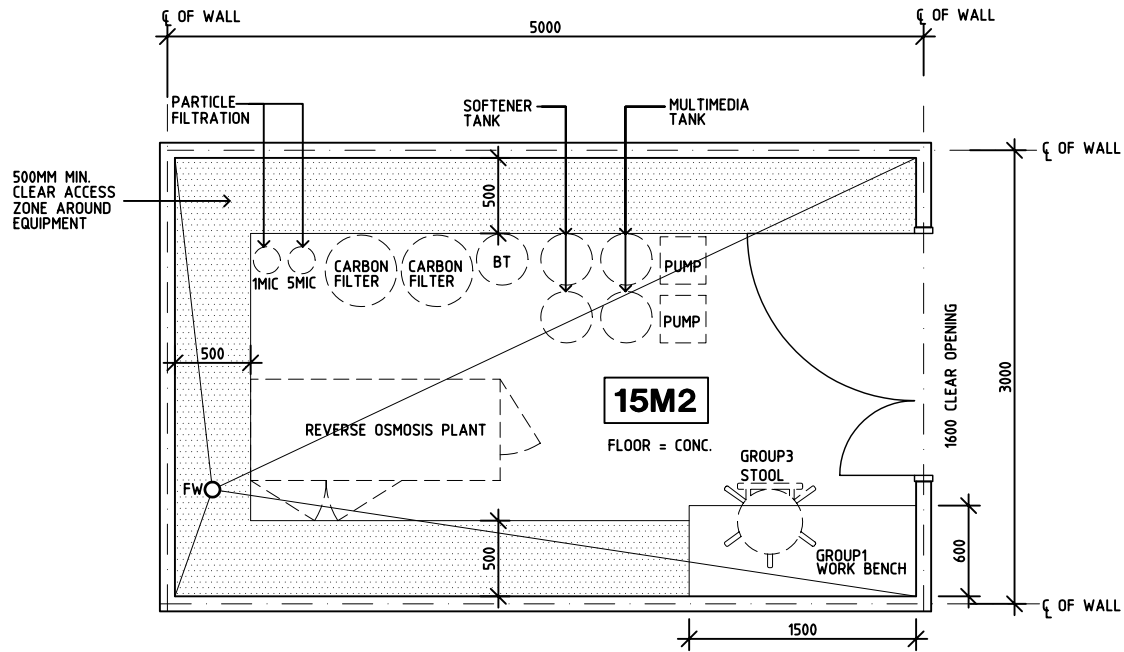
Room Layout Sheet

Room Name **Water Treatment Plant Room**

RLS Room Code **WTPL**

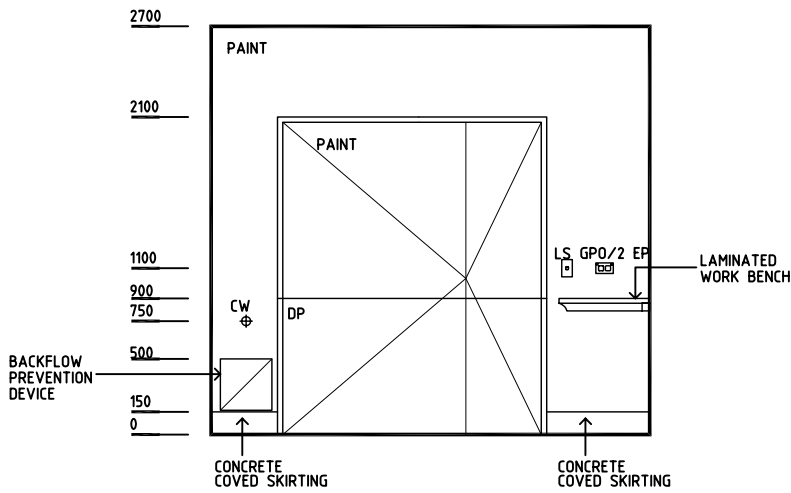
RDS Room Code **WTPL**

- BT BRINE TANK
- CW COLD WATER INLET
- DP DOOR PROTECTION
- FW FLOOR WASTE
- GPO/2 EP POWER OUTLET, EMERGENCY POWER
- GPO/3P POWER OUTLET, 3 PHASE
- LS LIGHT SWITCH

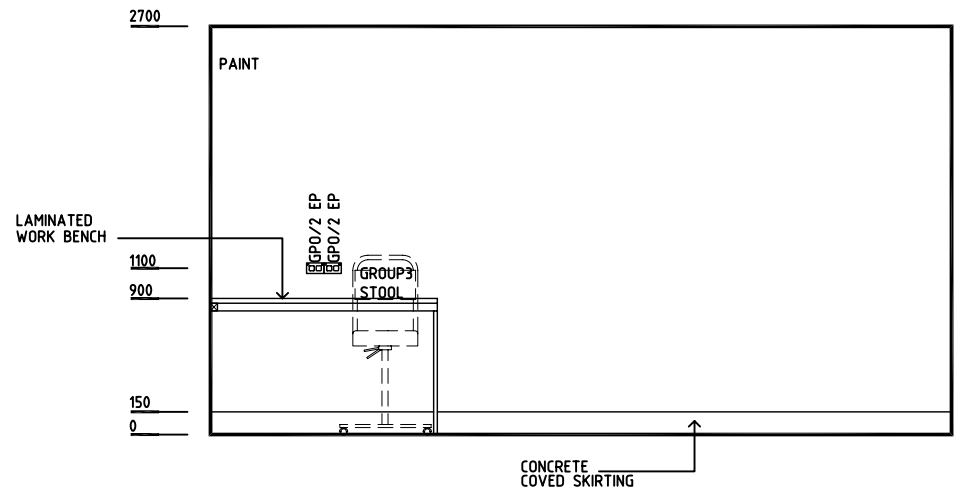


PLAN

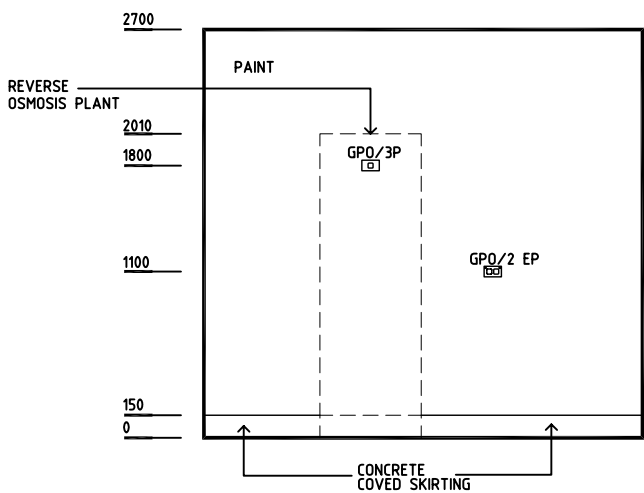
NOTE:
PLANT EQUIPMENT AND LAYOUT IS
SUBJECT TO MANUFACTURER'S &
SUPPLIER'S SPECIFICATIONS.



ELEVATION 1



ELEVATION 2



ELEVATION 3

REV	DESCRIPTION	DATE	BY	REV	DESCRIPTION	DATE	BY	REV	DESCRIPTION	DATE	BY
1	FIRST ISSUE	23.05.06	JH								



HCAMC in association with UNSW

HPI

DESIGNED	APPROVED	SCALE(S)	ZONE(S)
AA/JH	DB	1:50 in A3	
CAD FILE NAME		PAPER DRAWING ID	
WTPL		WTPL	