

# AUSTRALASIAN HFG STANDARD COMPONENTS

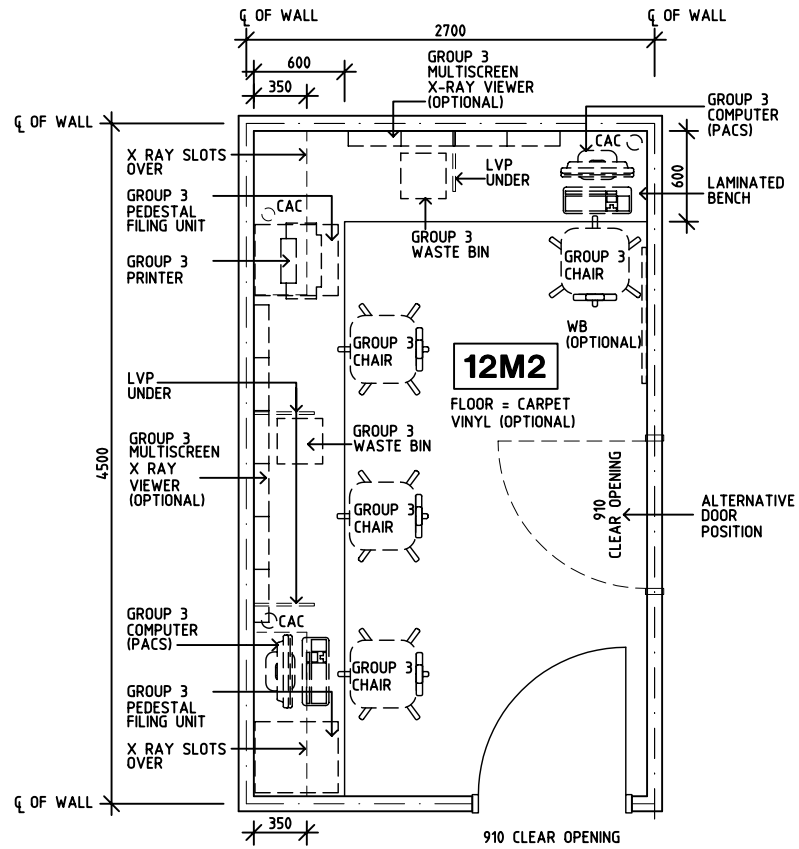
Room Layout Sheet

Room Name **X-Ray Viewing and Reporting**

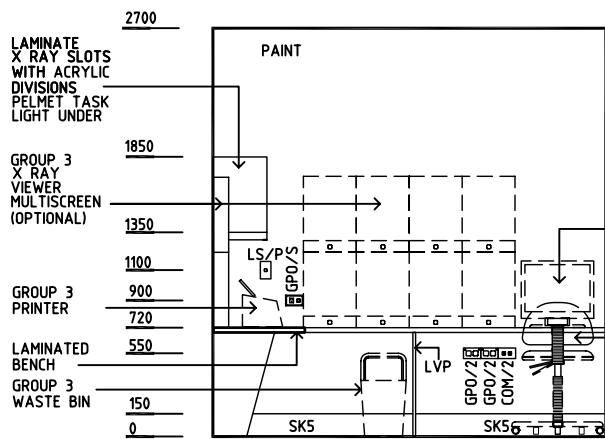
RLS Room Code **XRRR**

RDS Room Code **XRRR**

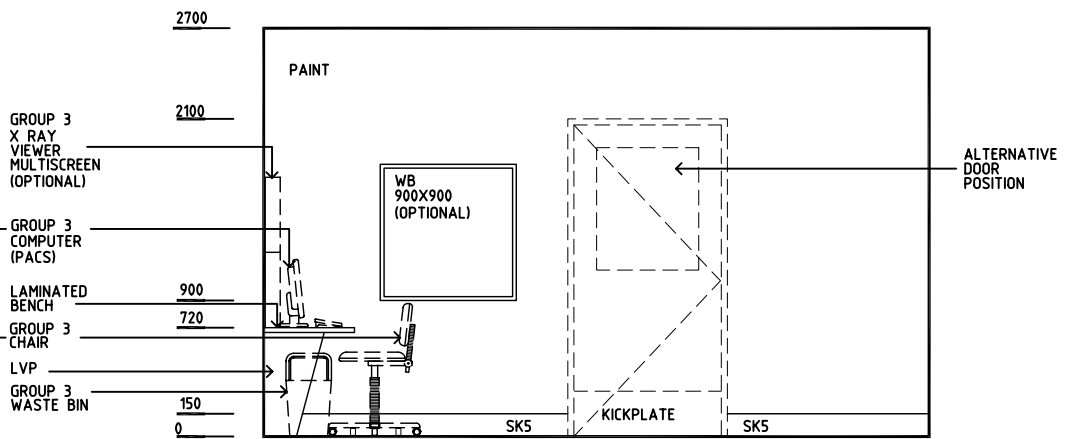
- CAC CABLE ACCESS CAP
- COM/2 COMMUNICATION OUTLET, DOUBLE
- GPO/S GENERAL PURPOSE OUTLET-SPECIAL
- GPO/2 GENERAL PURPOSE OUTLET-DOUBLE
- LS/P LIGHT SWITCH - PELMET TASK LIGHT
- LS/R LIGHT SWITCH - ROOM
- LVP LAMINATED VERTICAL SUPPORT PANEL
- PB PINBOARD
- PACS PICTURE ARCHIVING AND COMMUNICATION SYSTEM
- SK5 FEATHER EDGE VINYL SKIRTING
- WB WHITEBOARD



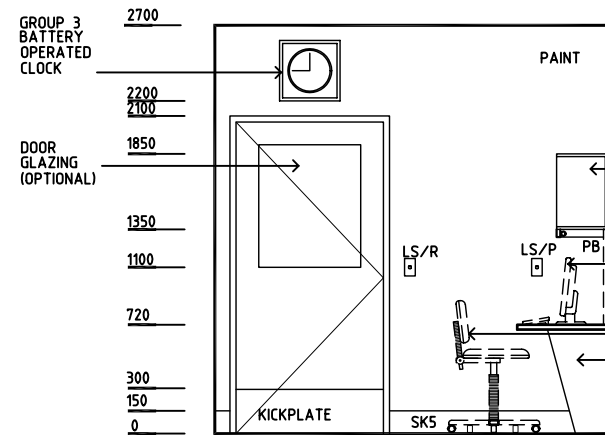
**PLAN**



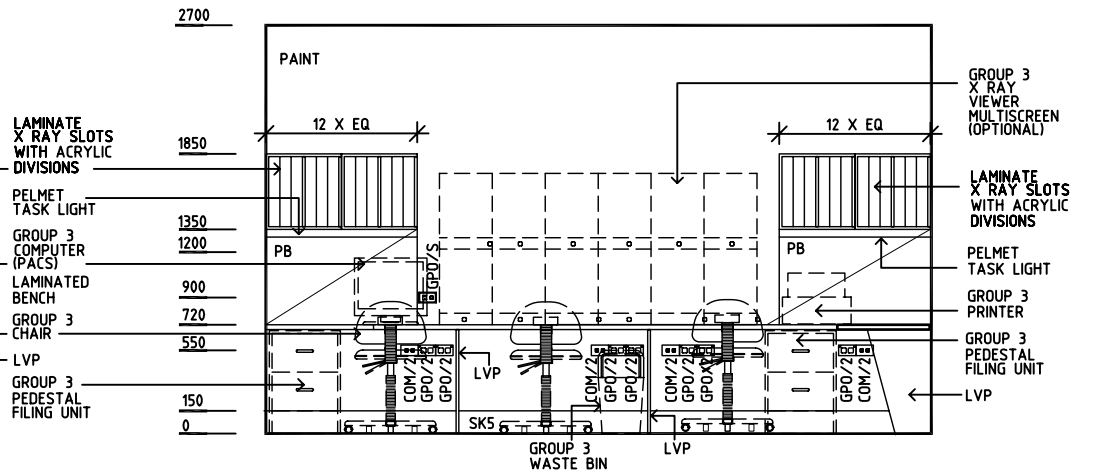
**ELEVATION 1**



**ELEVATION 2**



**ELEVATION 3**



**ELEVATION 4**

REV	DESCRIPTION	DATE	BY	REV	DESCRIPTION	DATE	BY	REV	DESCRIPTION	DATE	BY
1	FIRST ISSUE	11.12.03	AL								
2	GENERAL REVISIONS	5.01.04	BJ								
3	GENERAL REVISIONS	6.6.05	AL								



**HCAMC** in association with  
**UNSW**

HPI

DESIGNED	APPROVED	SCALE(S)	ZONE(S)
AL	DB	1:50 in A3	
CAD FILE NAME XRRR		PAPER DRAWING ID XRRR	