

# AUSTRALASIAN HFG STANDARD COMPONENTS

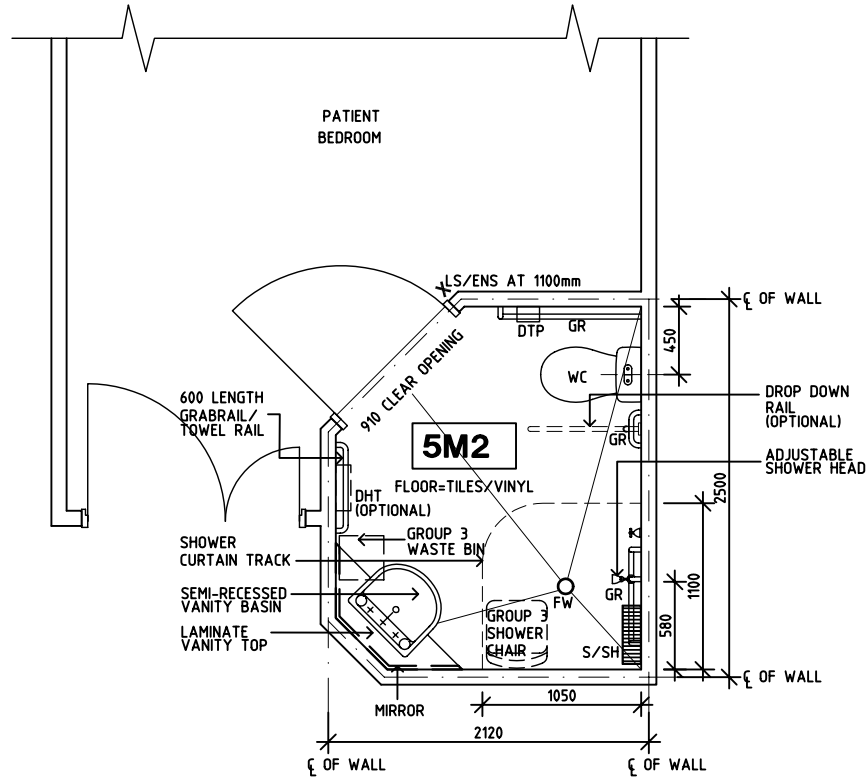
Room Layout Sheet

Room Name **Ensuite - Inboard**

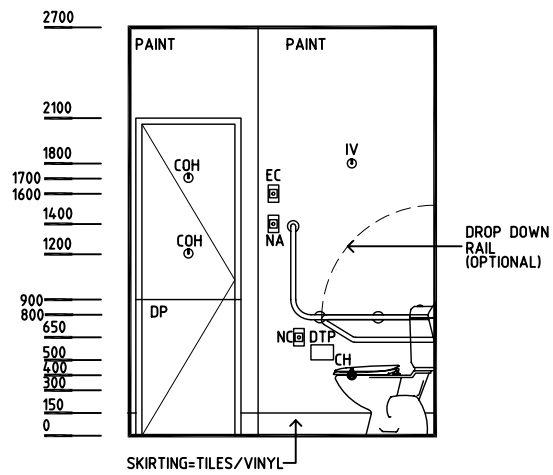
RLS Room Code **ENS-ST-A**

RDS Room Code **ENS-ST**

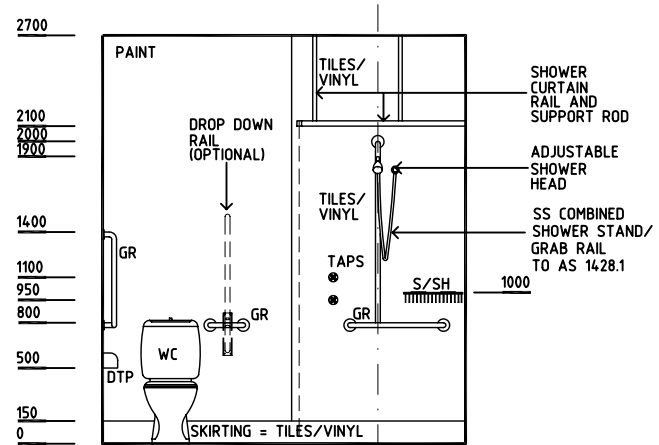
- CH CATHETER HOOK
- COH COAT HOOK
- CP CHROME PLATED
- DHT DISPENSER - HAND TOWEL
- DP DOOR AND DOOR FRAME PROTECTION
- DS DISPENSER - SOAP
- DTP DISPENSER - TOILET PAPER
- EC EMERGENCY CALL
- FW FLOOR WASTE
- GPO/2 GENERAL POWER OUTLET, DOUBLE
- GR GRAB RAIL
- IV IV HOOK
- LS LIGHT SWITCH
- NA NURSE ASSIST CALL
- NC PATIENT NURSE CALL
- RCD RESIDUAL CURRENT DEVICE
- S/SH SOAP AND SHAMPOO HOLDER
- TR TOWEL RAIL



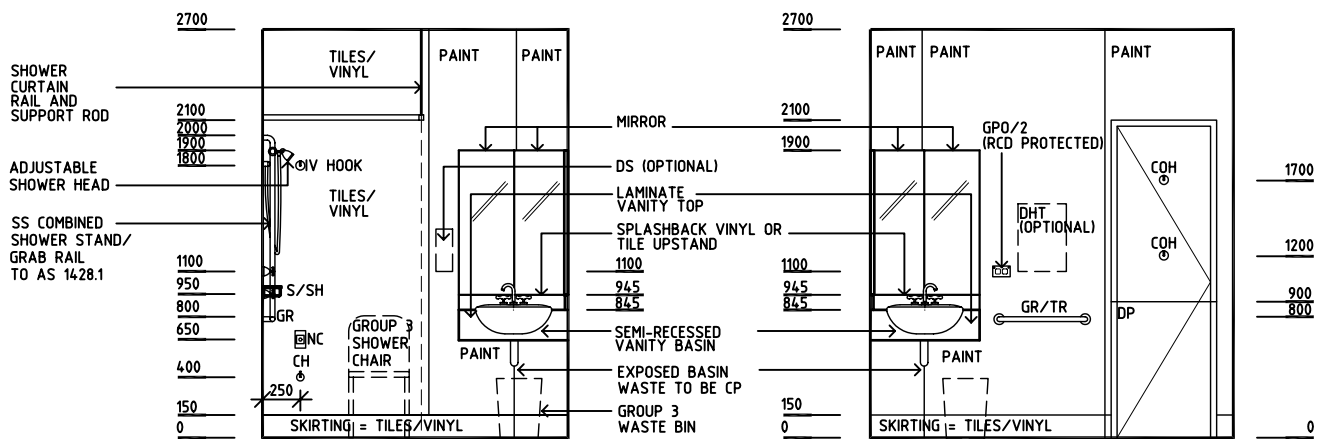
**PLAN**



**ELEVATION 1**



**ELEVATION 2**



**ELEVATION 3**

**ELEVATION 4**

REV	DESCRIPTION	DATE	BY	REV	DESCRIPTION	DATE	BY	REV	DESCRIPTION	DATE	BY
1	FIRST ISSUE	10.10.03	CC	4	GENERAL REVISIONS INCL NAME CHANGE	19.5.05	AL				
2	ROOM DIMENSION REVISED	27.10.03	AL								
3	GENERAL REVISIONS	14.2.05	CC								

**Australasian HFG**

**HCAMC** in association with **UNSW**

HPI

DESIGNED	APPROVED	SCALE(S)	ZONE(S)
CC/AL	DB	1:50 in A3	
CAD FILE NAME ENS-ST-A		PAPER DRAWING ID ENS-ST-A	