

AUSTRALASIAN HFG STANDARD COMPONENTS

Room Layout Sheet

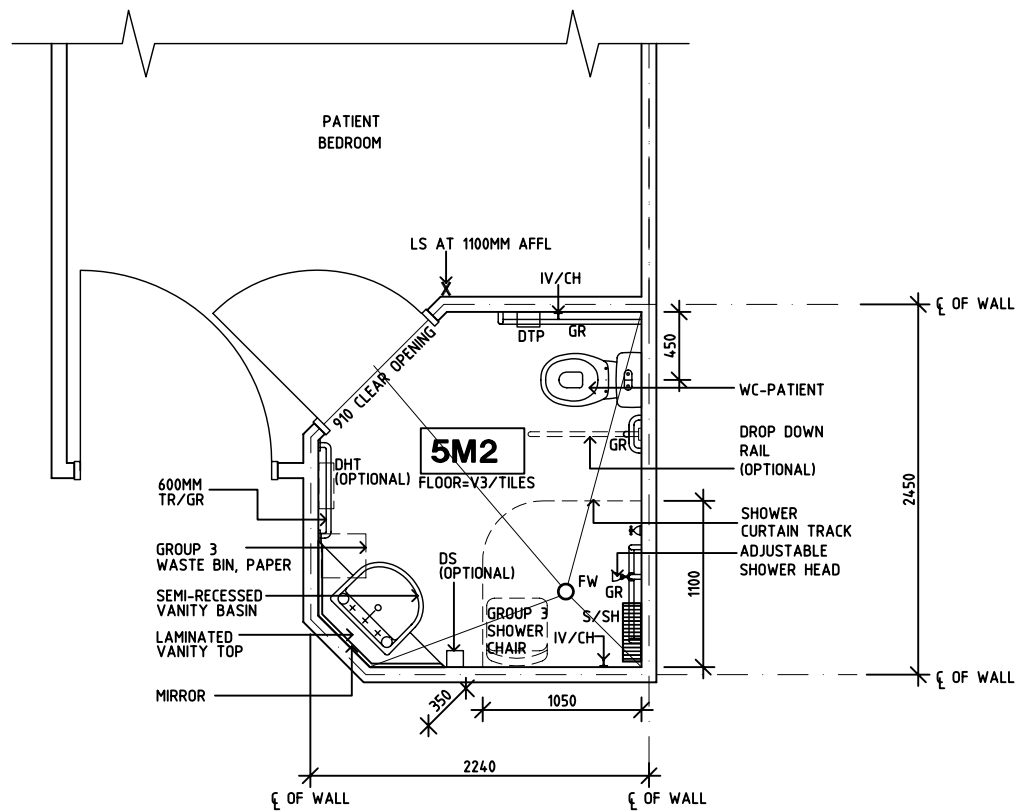
Room Name

Ensuite - Inboard

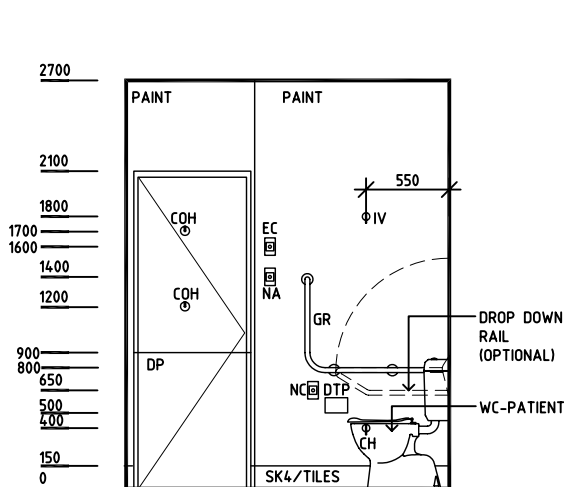
RLS Room Code ENS-ST-A2

RDS Room Code ENS-ST

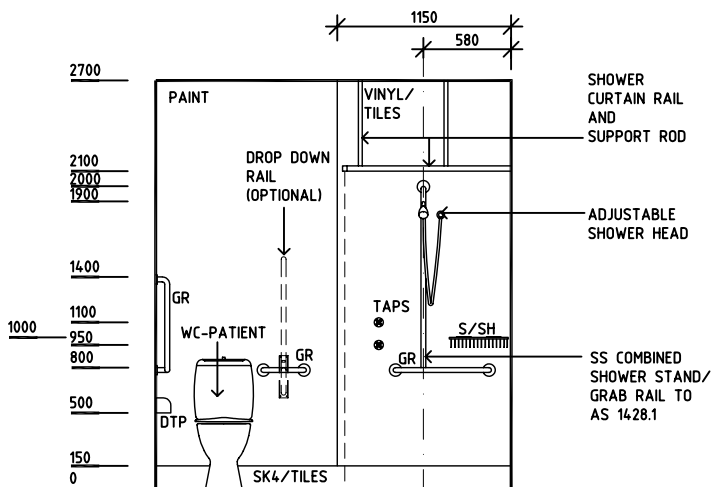
- CH CATHETER HOOK
- COH COAT HOOK
- CP CHROME PLATED
- DDG DISPENSER - DISPOSABLE GLOVE
- DHT DISPENSER - HAND TOWEL
- DP DOOR AND DOOR FRAME PROTECTION
- DS DISPENSER - SOAP
- DTP DISPENSER - TOILET PAPER
- EC EMERGENCY CALL
- FW FLOOR WASTE
- GPO/2 GENERAL POWER OUTLET, DOUBLE
- GR GRAB RAIL
- IV IV HOOK
- LS LIGHT SWITCH
- NA NURSE ASSIST CALL
- NC PATIENT NURSE CALL
- S/SH SOAP AND SHAMPOO HOLDER
- SK4 FLOOR VINYL COVERED SKIRTING
- SS STAINLESS STEEL
- TR TOWEL RAIL
- V3 FLOOR VINYL, STUDDED



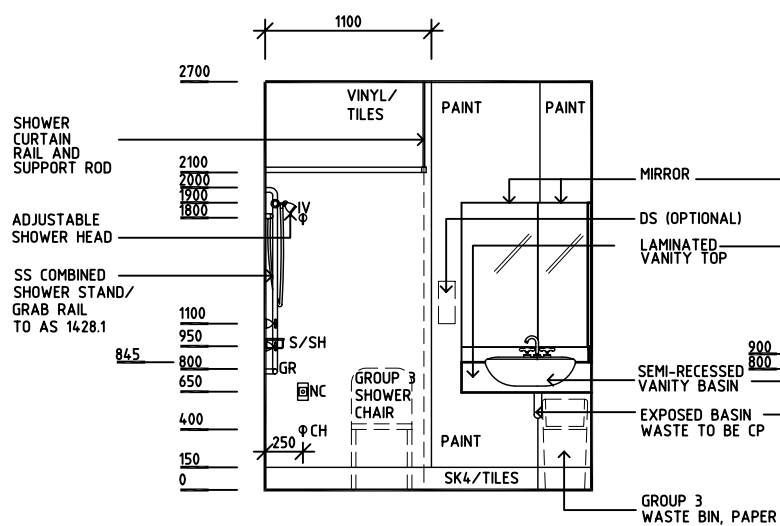
PLAN



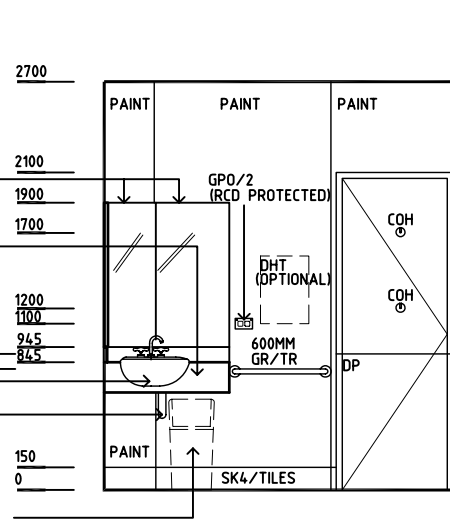
ELEVATION 1



ELEVATION 2



ELEVATION 3



ELEVATION 4

REV	DESCRIPTION	DATE	BY	REV	DESCRIPTION	DATE	BY	REV	DESCRIPTION	DATE	BY
1	FIRST ISSUE	2.8.05	AL								
2	SECOND ISSUE	18.4.06	ADS								



HPI

DESIGNED	APPROVED	SCALE(S)	ZONE(S)
AL/JH	DB	1:50 in A3	
CAD FILE NAME ENS-ST-A2		PAPER DRAWING ID ENS-ST-A2	