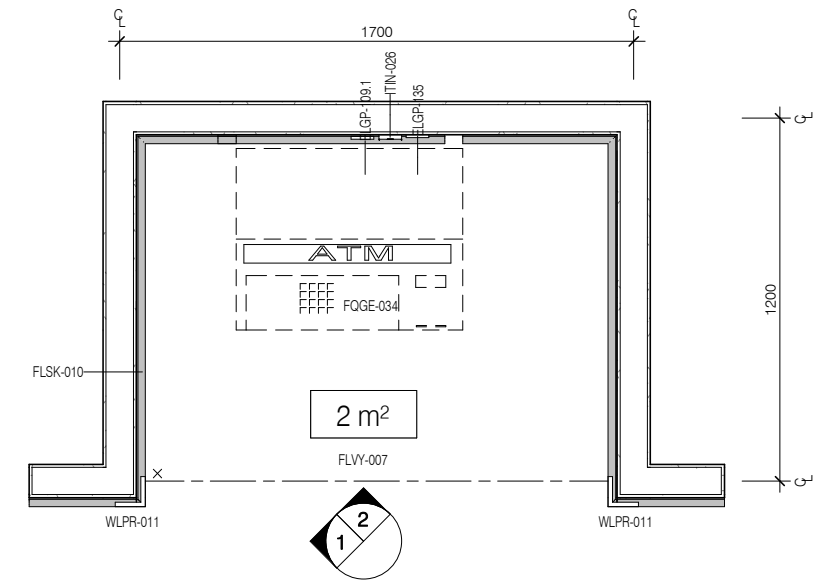
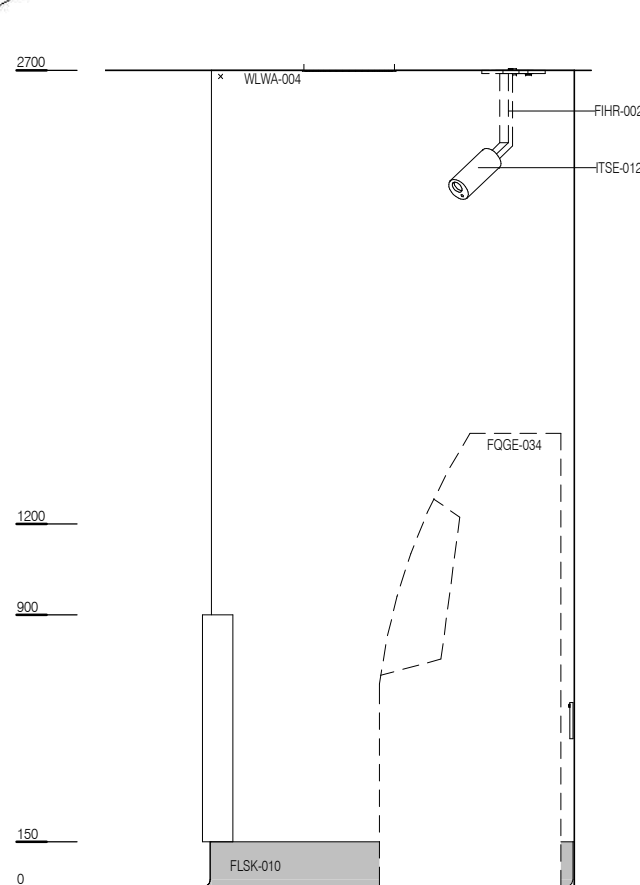


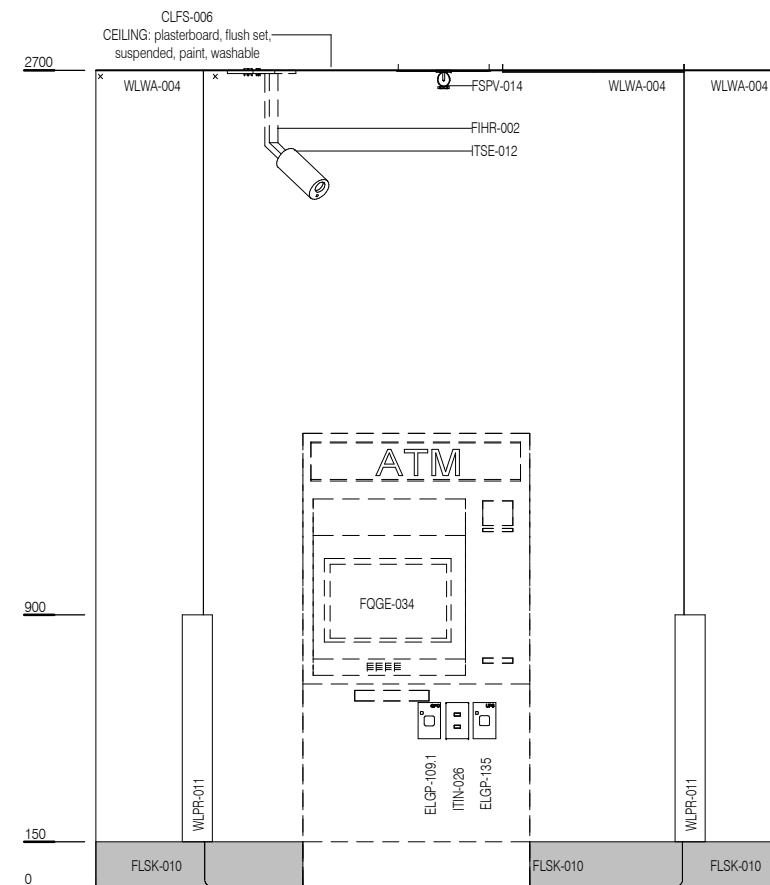
CODE	DESCRIPTION
ELGP-101	GPO: single, ceiling mounted
ELGP-109.1	GPO: single, wall mounted (V)
ELGP-135	GPO: UPS, single, wall mounted
FIHR-002	BRACKET: for CCTV camera, ceiling mounted
FLSK-010	SKIRTING: vinyl, floor vinyl coved, 150H, prefinished
FLVY-007	FLOOR FINISH: vinyl, seamless, coved, standard slip resistant
FOGE-034	MACHINE: ATM
FSDE-004	DETECTOR: smoke
FSPV-014	FIRE SUPPRESSION: sprinklers
ITIN-011	OUTLET: data, single RJ45, ceiling mounted
ITIN-026	OUTLET: data, double RJ45, wall mounted
ITSE-012	CAMERA: CCTV
LIFX-030	LIGHT: downlight, recessed, compact fluorescent
MESU-011	SUPPLY AIR: grille
WLPR-011	WALL PROTECTION: corner guards, to 900 AFFL min.
WLWA-004	WALL FINISH: paint, acrylic, washable



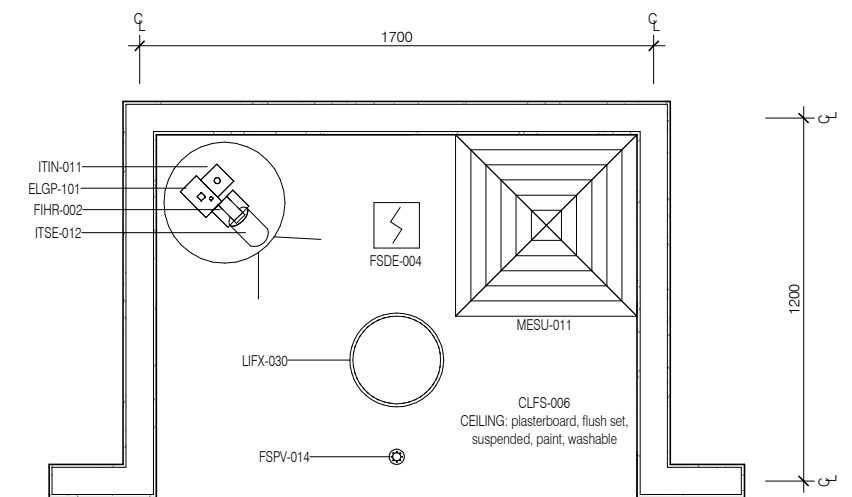
PLAN



ELEVATION 1



ELEVATION 2



REFLECTED CEILING PLAN