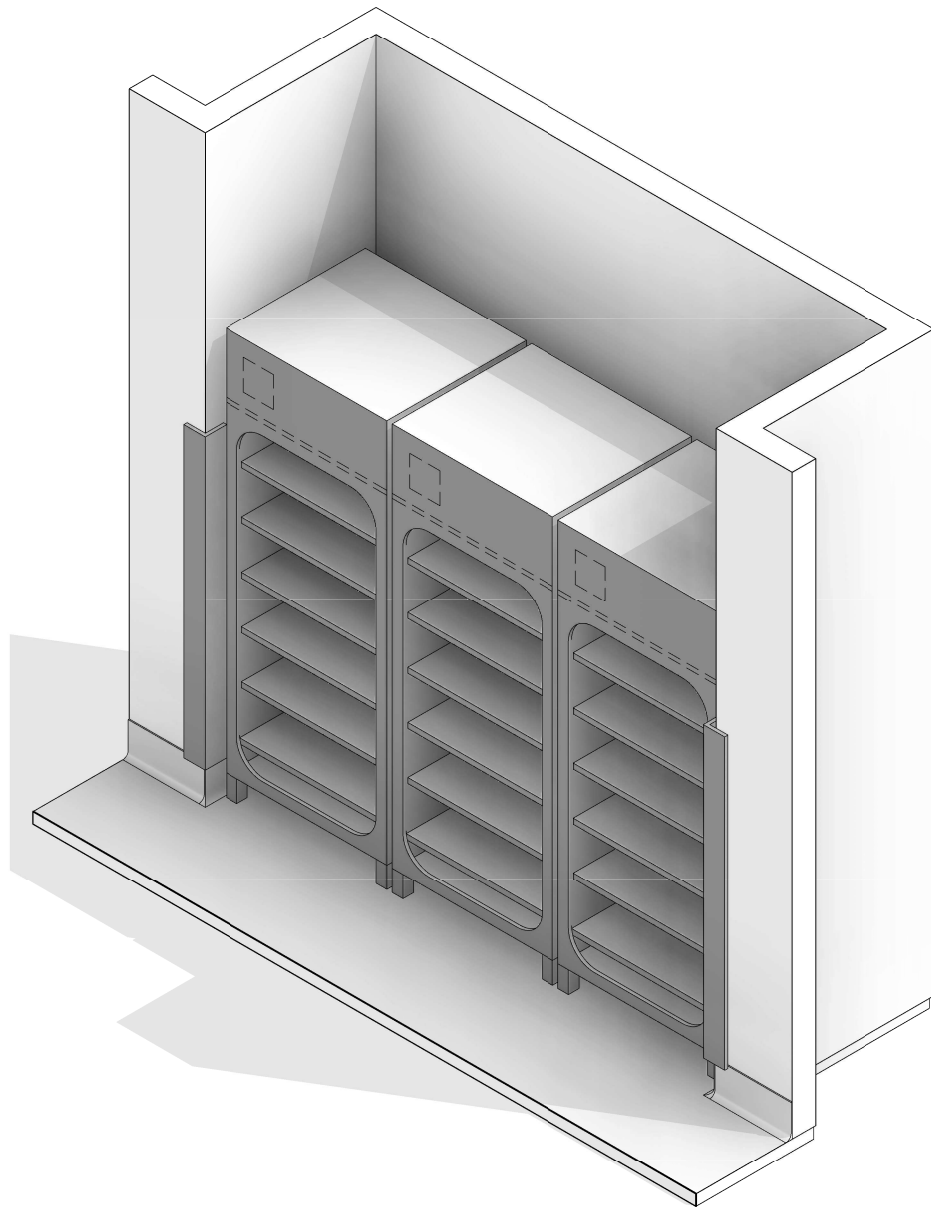


AUSTRALASIAN HFG STANDARD COMPONENTS

Room Layout Sheet

RLS Room Code: **BLST**

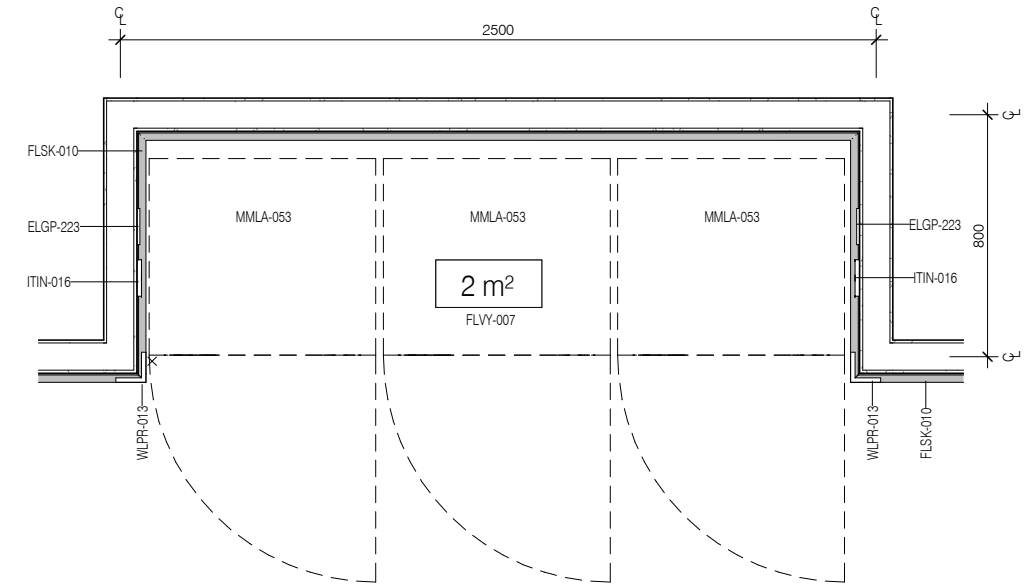
1:25 1.25m 1 0.75 0.5 0.25 0



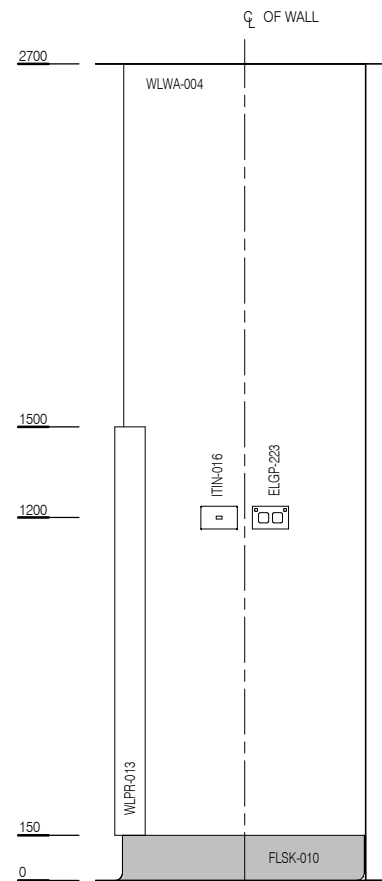
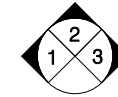
CODE	DESCRIPTION
ELGP-223	GPO: emergency power, double, wall mounted
FLSK-010	SKIRTING: vinyl, floor vinyl coved, 150H, prefinished
FLVY-007	FLOOR FINISH: vinyl, seamless, coved, standard slip resistant
ITIN-016	OUTLET: data, single RJ45, wall mounted
MMLA-053	FRIDGE: blood products, single door
WLPR-013	WALL PROTECTION: corner guards, to 1500 AFFL, prefinished PVC
WLWA-004	WALL FINISH: paint, acrylic, washable

Room Name:

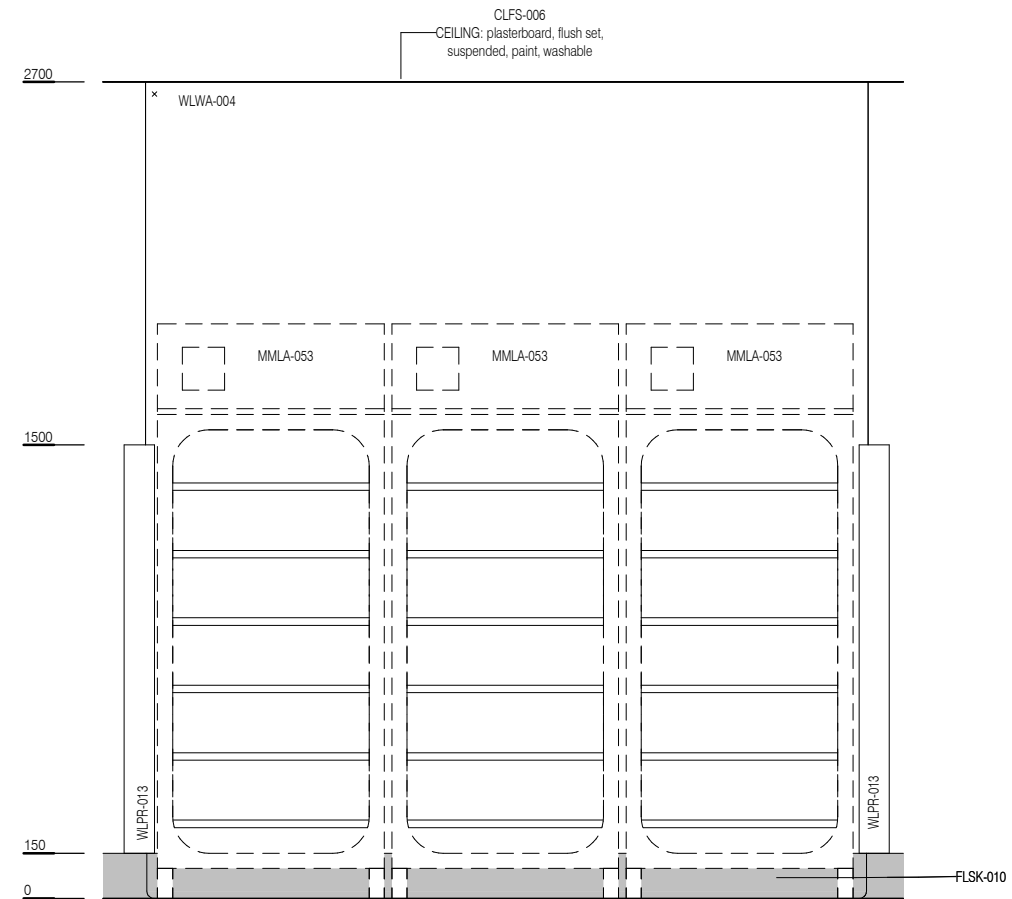
BLOOD STORE



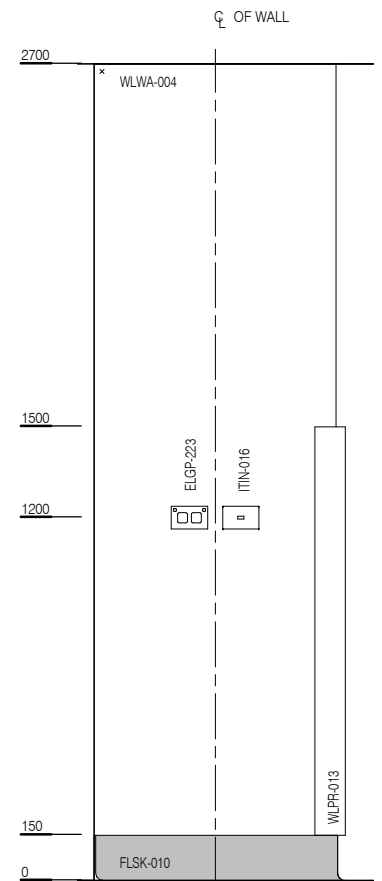
PLAN



ELEVATION 1



ELEVATION 2



ELEVATION 3



REV	DESCRIPTION	DATE
3	Coding and naming updated	20.03.2017

FOR GUIDANCE

SCALE	RLS Room Code	REV
1 : 25 @ A3	BLST	3