

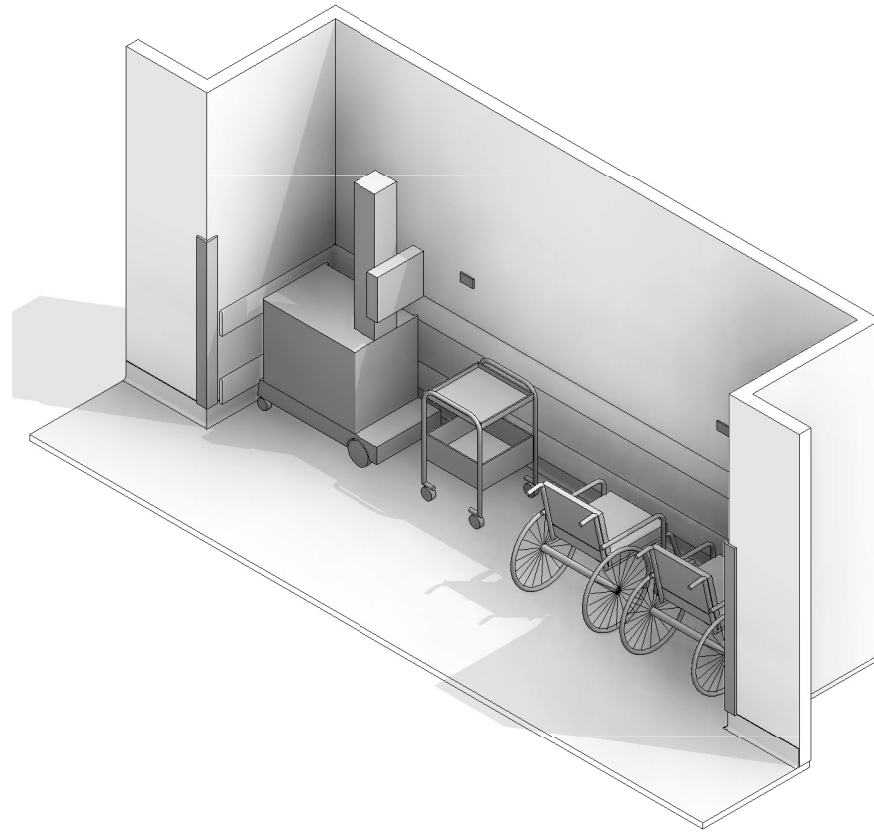
# AUSTRALASIAN HFG STANDARD COMPONENTS

Room Layout Sheet

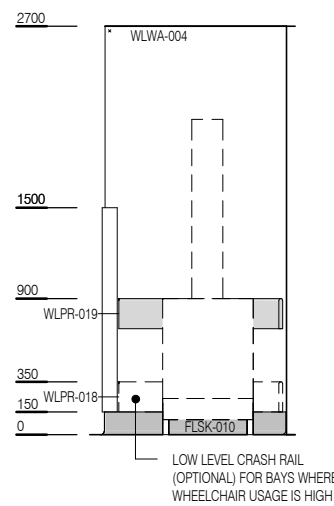
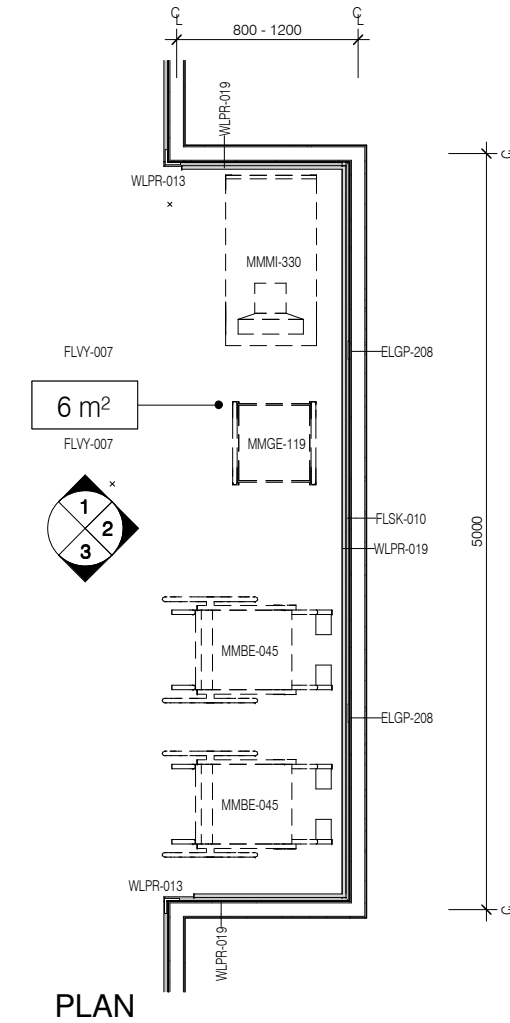
RLS Room Code: **BMEQ-6**

Room Name:

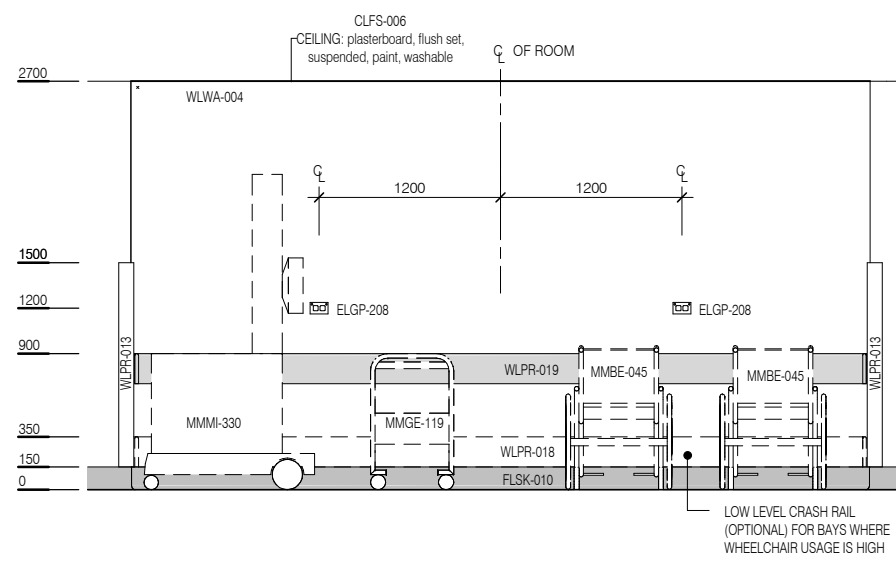
1:50 2.5m 2 1.5 1 0.5 0  
**BAY - MOBILE EQUIPMENT, 6m<sup>2</sup>**



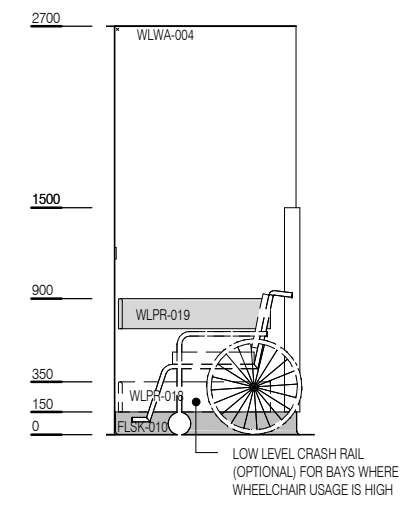
CODE	DESCRIPTION
ELGP-208	GP: double, wall mounted
FLSK-010	SKIRTING: vinyl, floor vinyl coved, 150H, prefinished
FLVY-007	FLOOR FINISH: vinyl, seamless, coved, standard slip resistant
MMBE-045	WHEELCHAIR
MMGE-119	TROLLEY: equipment
MMMI-330	DEVICE: imaging, X-Ray machine, mobile
WLPR-013	WALL PROTECTION: corner guards, to 1500 AFFL, prefinished PVC
WLPR-018	WALL PROTECTION: crash rail, at 350 AFFL, prefinished PVC
WLPR-019	WALL PROTECTION: crash rail, at 900 AFFL, prefinished PVC
WLWA-004	WALL FINISH: paint, acrylic, washable



**ELEVATION 1**



**ELEVATION 2**



**ELEVATION 3**

REV	DESCRIPTION	DATE
5	Coding and naming updated	20.03.2017

**FOR GUIDANCE**

SCALE	RLS Room Code	REV
1 : 50 @ A3	BMEQ-6	5