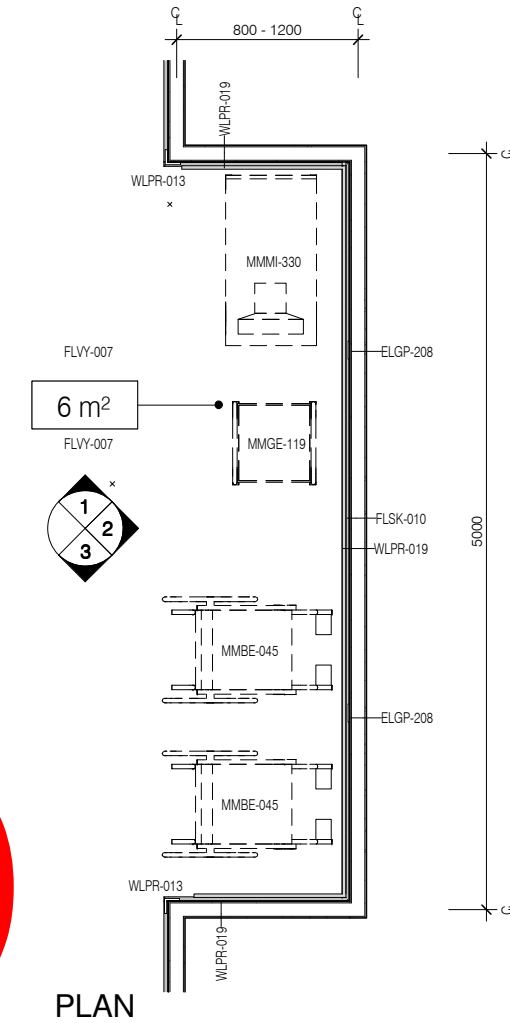
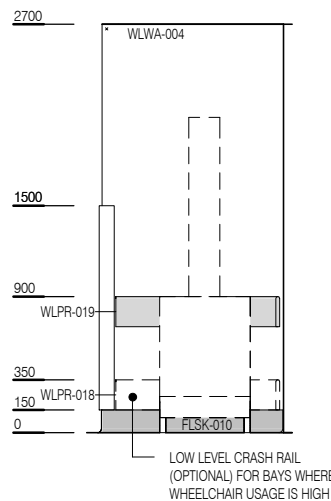


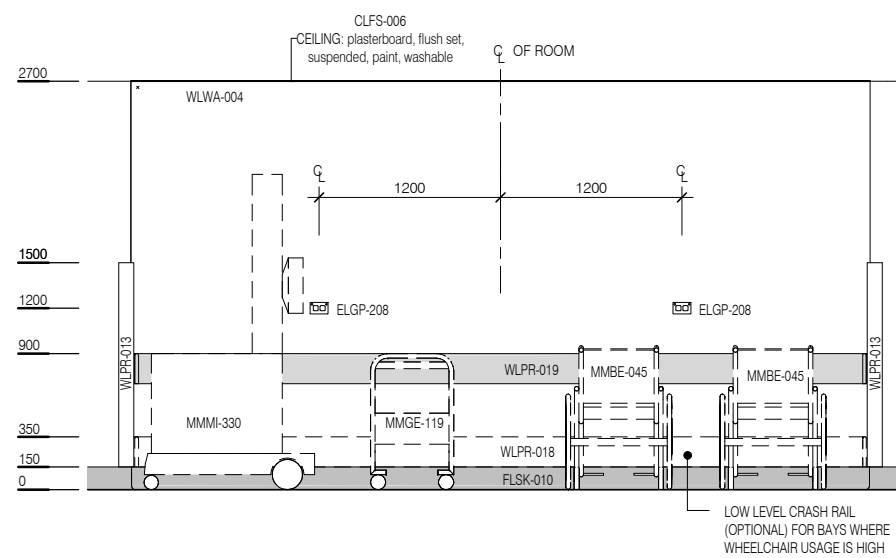
CODE	DESCRIPTION
ELGP-208	GPO: double, wall mounted
FLSK-010	SKIRTING: vinyl, floor vinyl coved, 150H, prefinished
FLVY-007	FLOOR FINISH: vinyl, seamless, coved, standard slip resistant
MMBE-045	WHEELCHAIR
MMGE-119	TROLLEY: equipment
MMMI-330	DEVICE: imaging, X-Ray machine, mobile
WLPR-013	WALL PROTECTION: corner guards, to 1500 AFFL, prefinished PVC
WLPR-018	WALL PROTECTION: crash rail, at 350 AFFL, prefinished PVC
WLPR-019	WALL PROTECTION: crash rail, at 900 AFFL, prefinished PVC
WLWA-004	WALL FINISH: paint, acrylic, washable



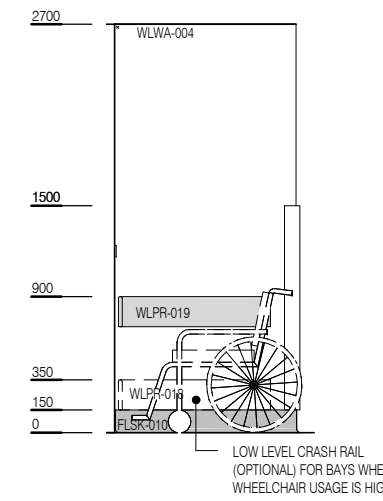
**RETIRED**



ELEVATION 1



ELEVATION 2



ELEVATION 3