

# AUSTRALASIAN HFG STANDARD COMPONENTS

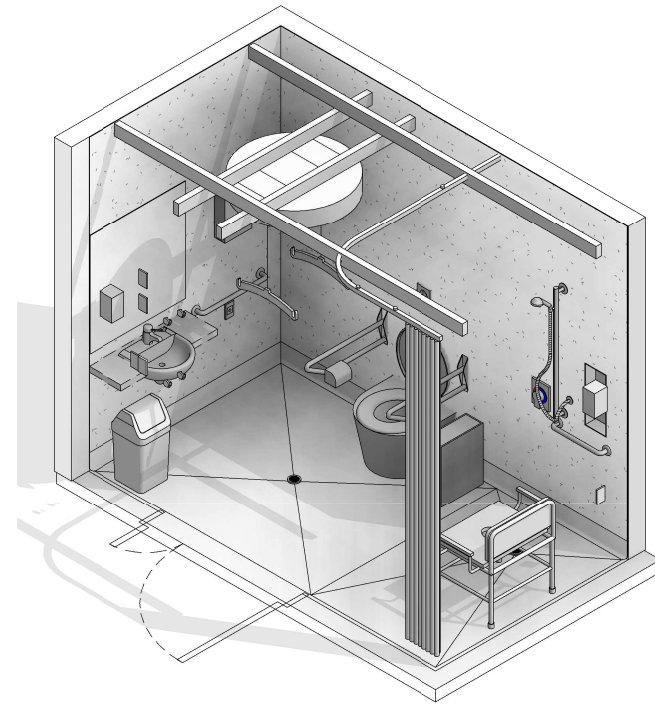
Room Layout Sheet

RLS Room Code: **ENS-BA**

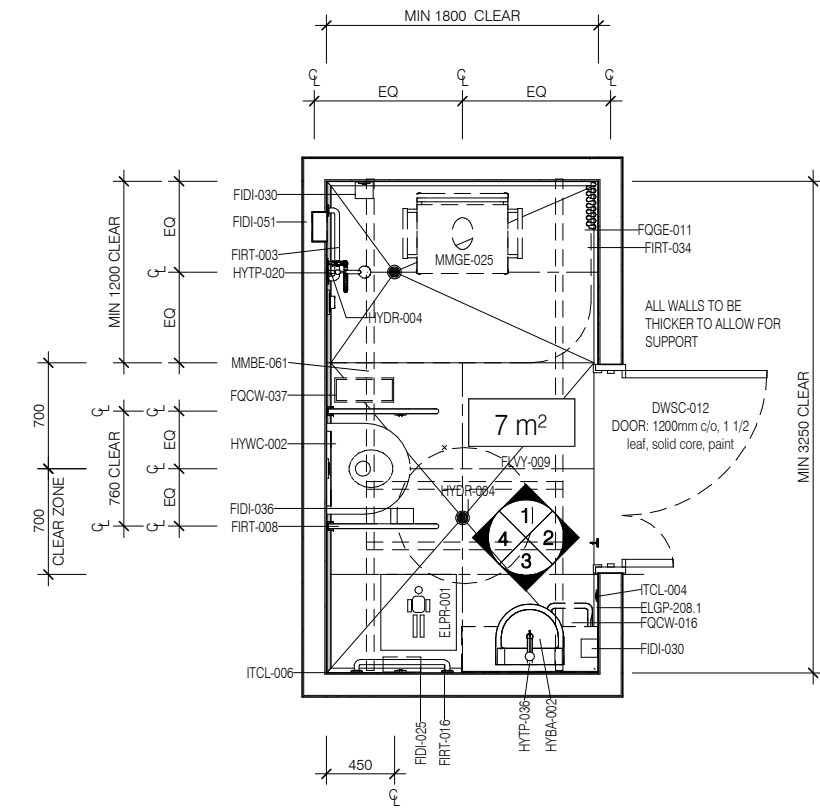
1:50 2.5m 2 1.5 1 0.5 0

Room Name:

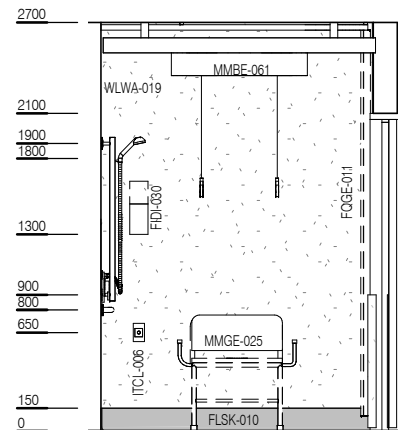
**ENSUITE - BARIATRIC, 7m<sup>2</sup>**



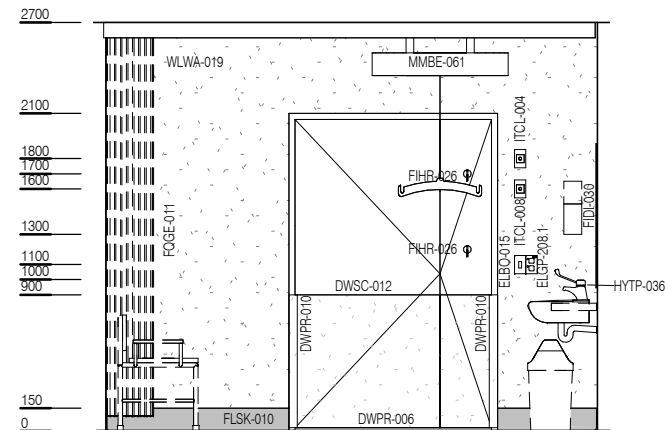
CODE	DESCRIPTION
DWPR-006	DOOR PROTECTION: protection plate, to 900 AFFL, PVC, prefinished
DWPR-010	DOOR PROTECTION: to door frame, PVC, prefinished
ELBO-015	SWITCH: light, single
ELGP-208.1	GPO: double, wall mounted (V)
ELPR-001	BODY PROTECTED ELECTRICAL AREA
FIBM-006	MIRROR: fixed, glass
FIDI-025	DISPENSER: paper/hand towel
FIDI-030	DISPENSER: soap
FIDI-036	DISPENSER: toilet paper
FIDI-051	HOLDER: soap/shampoo, recessed, vertical format
FIHR-026	HOOK: coat
FIRT-003	GRAB RAIL: shower, horizontal
FIRT-008	GRAB RAIL: WC, hinged
FIRT-016	RAIL: towel
FIRT-034	TRACK: curtain, shower, 90 deg
FLSK-010	SKIRTING: vinyl, floor vinyl coved, 150H, prefinished
FLVY-009	FLOOR FINISH: vinyl, seamless, coved, wet area, non-slip
FQCW-016	BIN: waste, general, 20L
FQCW-037	BIN: waste, sanitary
FQGE-011	CURTAIN: shower
HYBA-002	BASIN: ensuite, with vanity unit
HYDR-004	DRAIN: floor waste
HYTP-020	SHOWER: hand-held
HYTP-036	TAPWARE: mixer, basin, lever action
HYTP-039	TAPWARE: mixer, shower, lever action
HYWC-002	TOILET SUITE: bariatric
ITCL-006	BUTTON: nurse call, patient to staff
MMBE-061	LIFTER: patient, ceiling mounted, track, traverse, bariatric
MMGE-025	CHAIR: shower, bariatric
WLWA-019	WALL FINISH: vinyl, full height



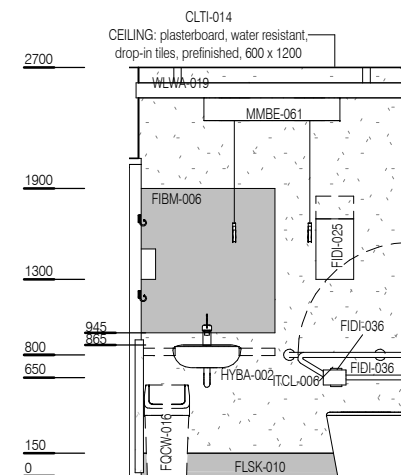
**PLAN**



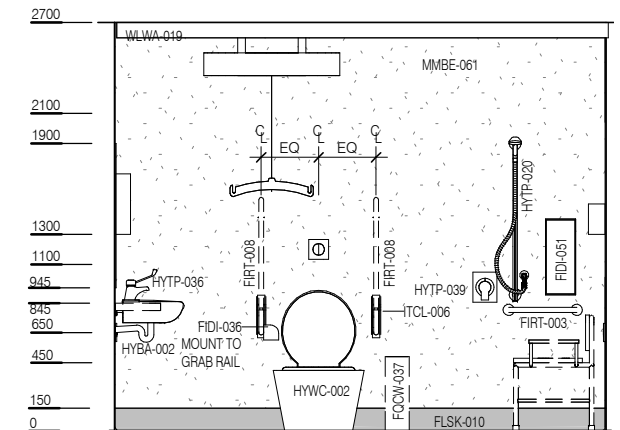
**ELEVATION 1**



**ELEVATION 2**



**ELEVATION 3**



**ELEVATION 4**



REV	DESCRIPTION	DATE
2	Coding and naming updated	20.03.2017

FOR GUIDANCE

SCALE	RLS Room Code	REV
1 : 50 @ A3	ENS-BA	2