

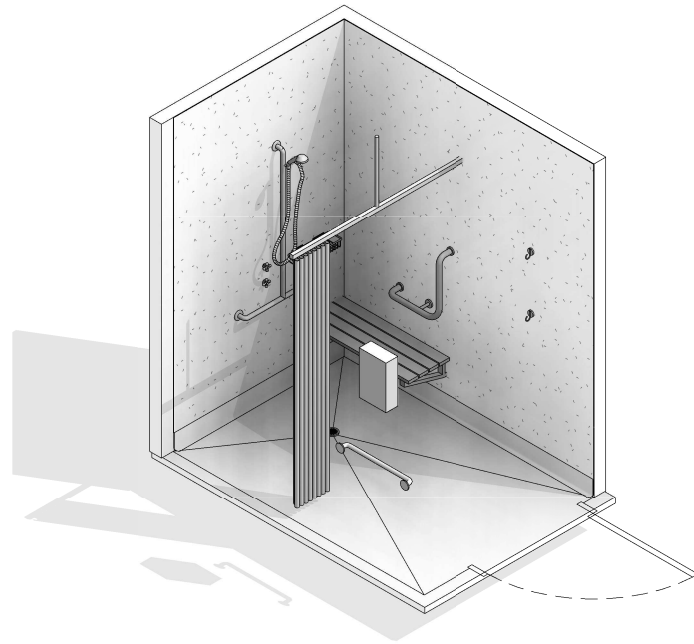
AUSTRALASIAN HFG STANDARD COMPONENTS

Room Layout Sheet

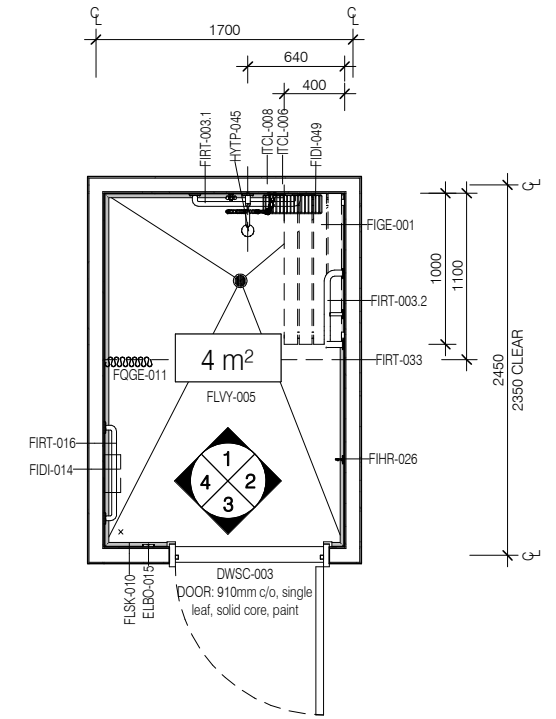
RLS Room Code: SHD

Room Name:

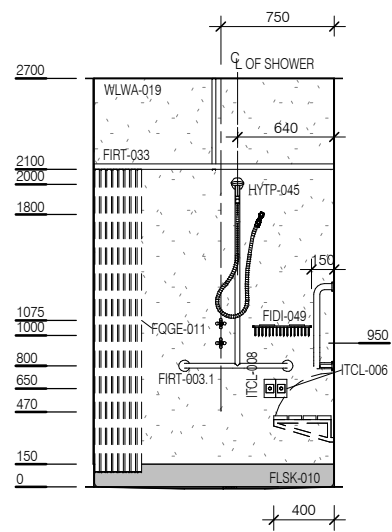
1:50 2.5m 2 1.5 1 0.5 0
SHOWER - ACCESSIBLE - 4m²



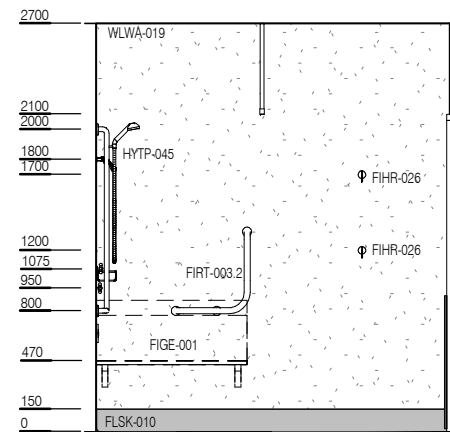
CODE	DESCRIPTION
DWPR-006	DOOR PROTECTION: protection plate, to 900 AFFL, PVC, prefinished
DWPR-010	DOOR PROTECTION: to door frame, PVC, prefinished
ELBO-015	SWITCH: light, single
FIDI-014	DISPENSER: disposable glove
FIDI-049	HOLDER: soap/shampoo, non-recessed
FIGE-001	BENCH SEAT: fixed, fold up/down, wet area, wall mounted
FIHR-026	HOOK: coat
FIRT-003.1	GRAB RAIL: shower, horizontal and vertical
FIRT-003.2	GRAB RAIL: shower, horizontal L shape
FIRT-016	RAIL: towel
FIRT-033	TRACK: curtain, shower
FLSK-010	SKIRTING: vinyl, floor vinyl coved, 150H, prefinished
FLVY-005	FLOOR FINISH: vinyl, seamless, coved, non slip, studded
FOGE-011	CURTAIN: shower
HYDR-004	DRAIN: floor waste
HYTP-030	TAPWARE: cold
HYTP-032	TAPWARE: hot
HYTP-045	SHOWER: hand-held, accessible
WLWA-004	WALL FINISH: paint, acrylic, washable
WLWA-019	WALL FINISH: vinyl, full height



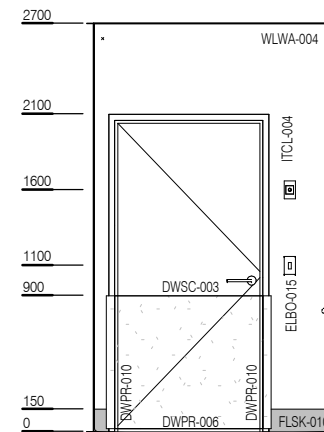
PLAN



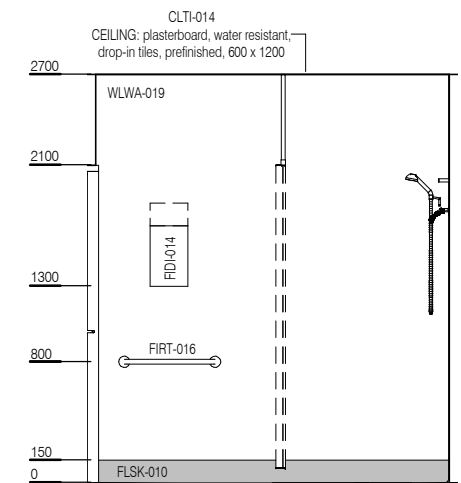
ELEVATION 1



ELEVATION 2



ELEVATION 3



ELEVATION 4



REV	DESCRIPTION	DATE
4	Coding and naming updated	20.03.2017

FOR GUIDANCE

SCALE	RLS Room Code	REV
1 : 50 @ A3	SHD	4