

AUSTRALASIAN HFG STANDARD COMPONENTS

Room Layout Sheet

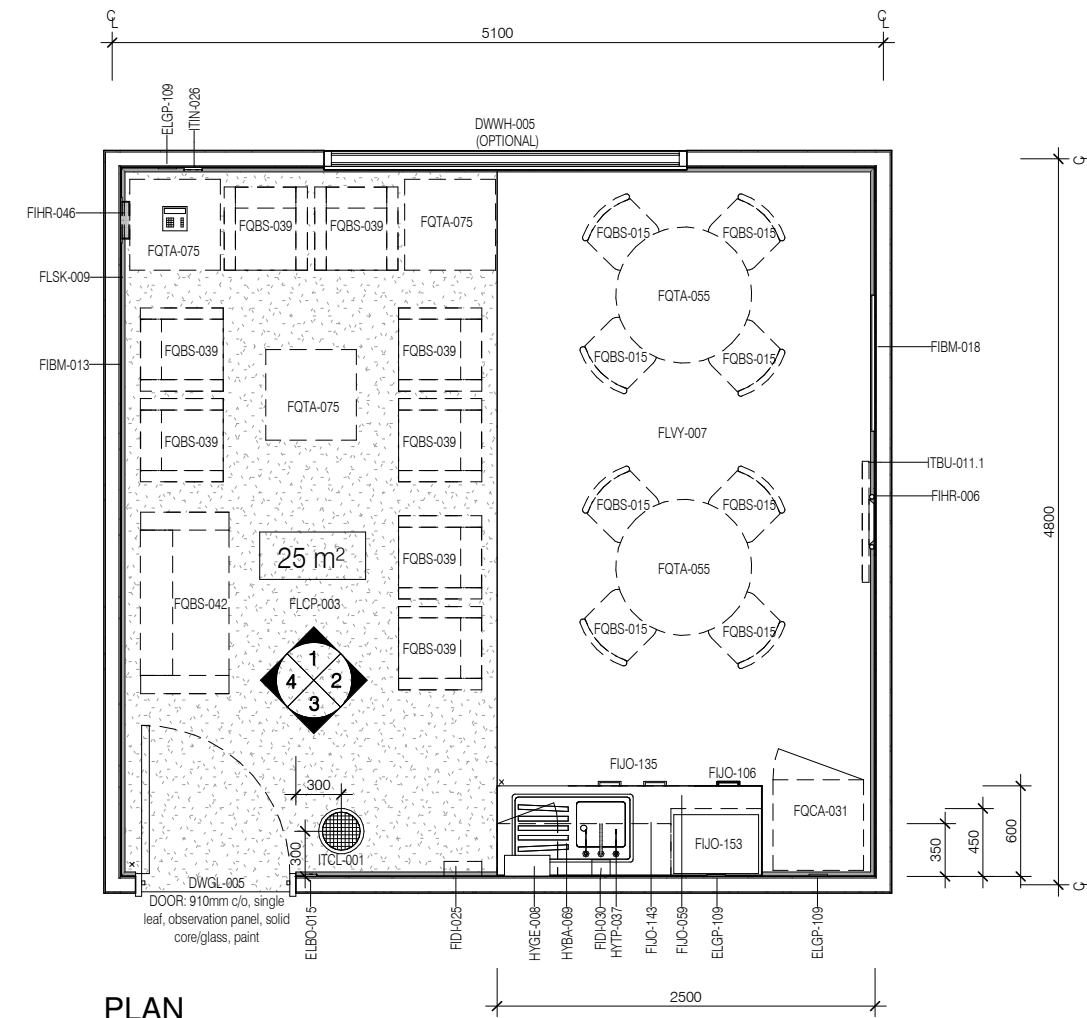
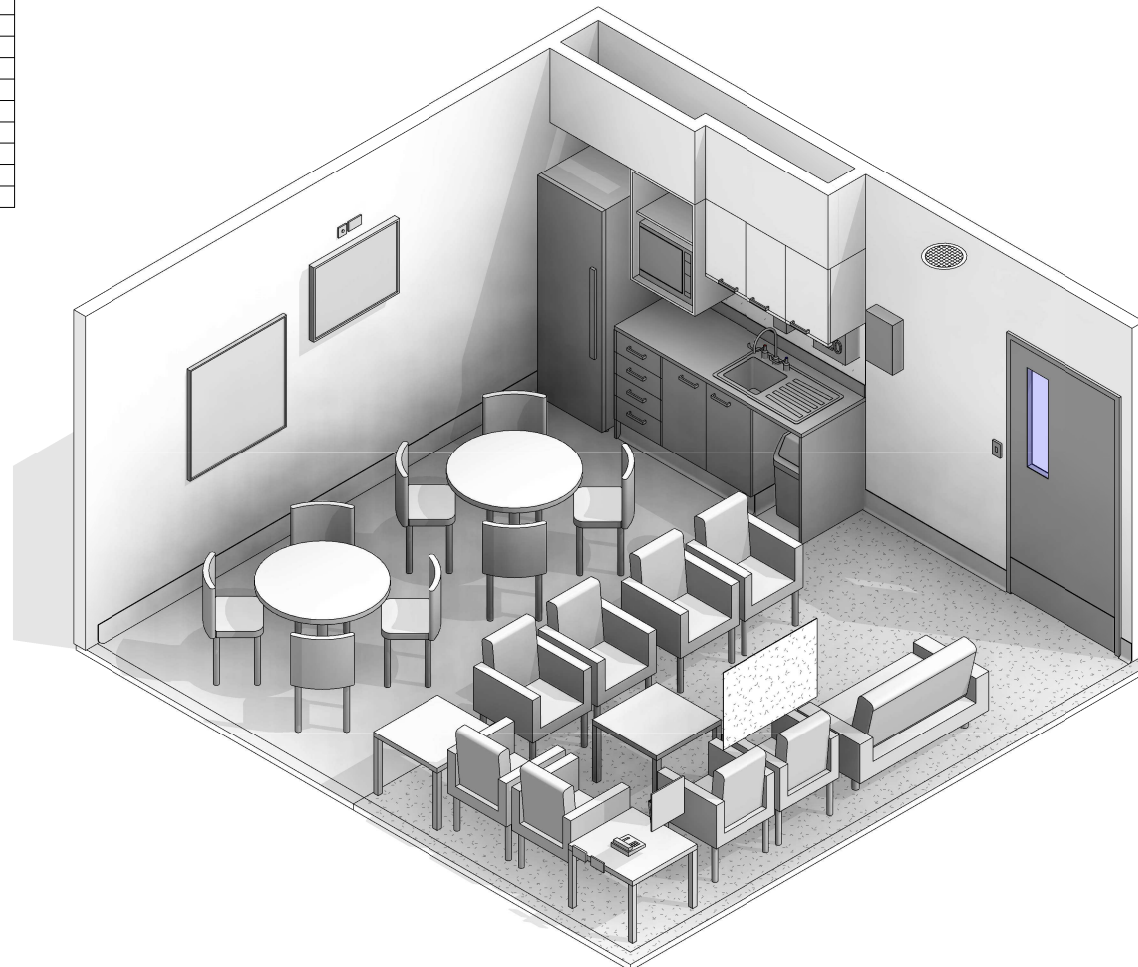
RLS Room Code: **SRM-25**

1:50 2.5m 2 1.5 1 0.5 0

Room Name:

STAFF ROOM, 25m²

CODE	DESCRIPTION
DWPR-003	DOOR PROTECTION: kickplate, to 300 AFFL, vinyl, prefinished
DWWH-006	BLIND: venetian
DWWH-005	WINDOW
ELBO-015	SWITCH: light, single
ELGP-106	GPO: single, special, for equipment
ELGP-109	GPO: single, wall mounted
ELGP-208	GPO: double, wall mounted
FIBM-018	WHITEBOARD: fixed
FIDI-025	DISPENSER: paper/hand towel
FIDI-030	DISPENSER: soap
FIHR-006	BRACKET: for display screen, wall mounted
FIHR-046	RACK: magazine/pamphlet, small
FLJO-059	BENCH TOP: 600D, joinery under, laminate finish
FUJO-106	CUPBOARD: drawer unit, 4 equal
FUJO-135	CUPBOARD: underbench, double door, adj shelves
FUJO-143	CUPBOARD: wall mount, double door, adj shelves
FUJO-153	CUPBOARD: wall mount, shelf unit, adj shelves for microwave
FUJO-157	CUPBOARD: wall mount, single door, adj shelves, lockable
FLCP-003	FLOOR FINISH: carpet, broadloom, 48 oz., 90/10 wool/nylon
FLSK-009	SKIRTING: vinyl, feather edged, 150H, prefinished
FLVY-007	FLOOR FINISH: vinyl, seamless, coved, standard slip resistant
FQBS-015	CHAIR: dining
FQBS-039	LOUNGE: 1 seat
FQBS-042	LOUNGE: 2 seat, 1200 wide
FQCA-031	FRIDGE: domestic, 250L
FQCA-067	OVEN: microwave, domestic
FQCW-016	BIN: waste, general, 20L
FQTA-055	TABLE: round, 900 diam, dining height
FQTA-075	TABLE: square, 600W, low height
HYBA-069	SINK: single, with drainer, 930mmL
HYGE-008	BOILING WATER UNIT: 5 Litre
HYTP-037	TAPWARE: mixer, elbow levers
ITBU-011.1	DISPLAY SCREEN: MATV, 54cm
ITCL-001	ANNUNCIATOR: nurse call
ITIN-026	OUTLET: data, double RJ45, wall mounted
ITIN-070	OUTLET: MATV
ITNE-050	TELEPHONE: handset, desktop, handsfree
WLWA-004	WALL FINISH: paint, acrylic, washable
WLWA-010	WALL FINISH: splashback, vinyl



PLAN

REV	DESCRIPTION	DATE
4	Coding and naming updated	20.03.2017

FOR GUIDANCE

SCALE	RLS Room Code	REV
1 : 50 @ A3	SRM-25	4

AUSTRALASIAN HFG STANDARD COMPONENTS

Room Layout Sheet

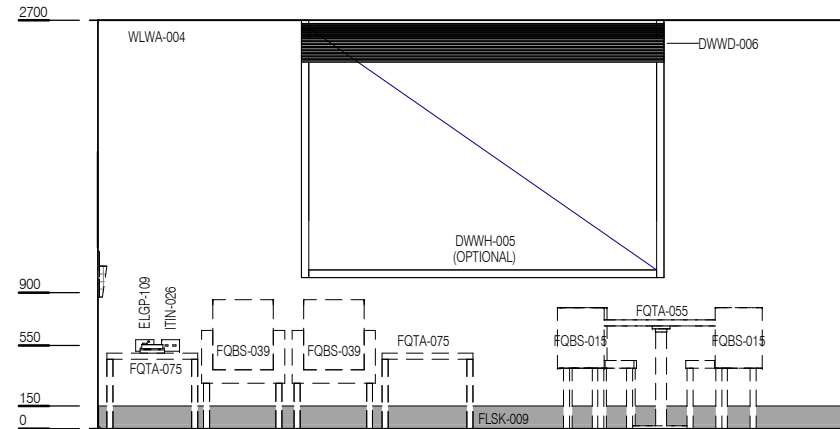
RLS Room Code: **SRM-25**

1:50 2.5m 2 1.5 1 0.5 0

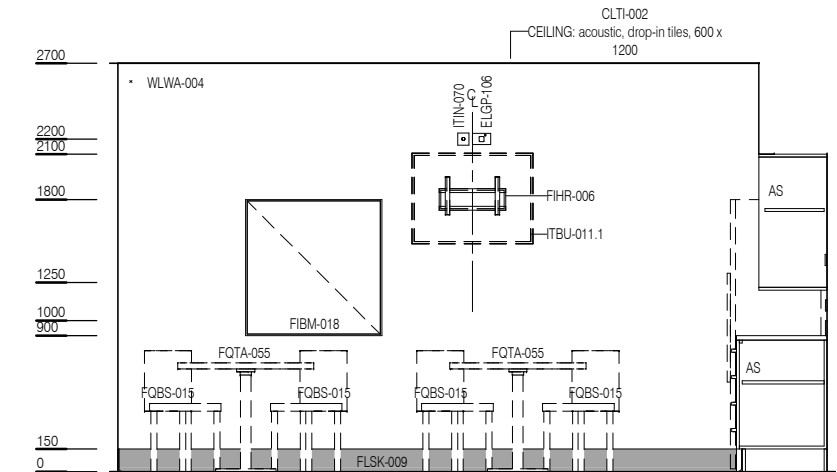
Room Name:

STAFF ROOM, 25m²

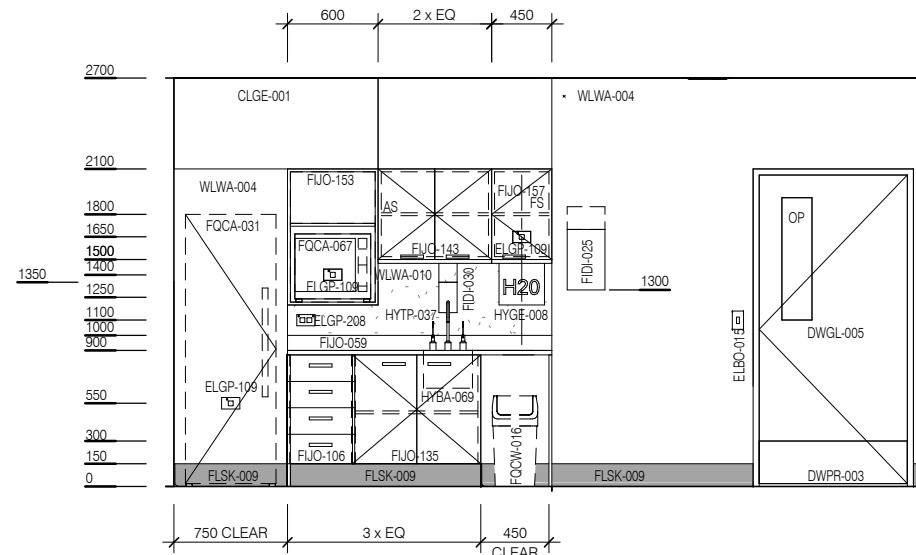
CODE	DESCRIPTION
DWPR-003	DOOR PROTECTION: kickplate, to 300 AFFL, vinyl, prefinished
DWWD-006	BLIND: venetian
DWWH-005	WINDOW
ELBO-015	SWITCH: light, single
ELGP-106	GPO: single, special, for equipment
ELGP-109	GPO: single, wall mounted
ELGP-208	GPO: double, wall mounted
FIBM-018	WHITEBOARD: fixed
FIDI-025	DISPENSER: paper/hand towel
FIDI-030	DISPENSER: soap
FIHR-006	BRACKET: for display screen, wall mounted
FIHR-046	RACK: magazine/pamphlet, small
FUO-059	BENCH TOP: 600D, joinery under, laminate finish
FUO-106	CUPBOARD: drawer unit, 4 equal
FUO-135	CUPBOARD: underbench, double door, adj shelves
FUO-143	CUPBOARD: wall mount, double door, adj shelves
FUO-153	CUPBOARD: wall mount, shelf unit, adj shelves for microwave
FUO-157	CUPBOARD: wall mount, single door, adj shelves, lockable
FLCP-003	FLOOR FINISH: carpet, broadloom, 48 oz., 90/10 wool/nylon
FLSK-009	SKIRTING: vinyl, feather edged, 150H, prefinished
FLVY-007	FLOOR FINISH: vinyl, seamless, coved, standard slip resistant
FQBS-015	CHAIR: dining
FQBS-039	LOUNGE: 1 seat
FQBS-042	LOUNGE: 2 seat, 1200 wide
FQCA-031	FRIDGE: domestic, 250L
FQCA-067	OVEN: microwave, domestic
FQCW-016	BIN: waste, general, 20L
FQTA-055	TABLE: round, 900 diam, dining height
FQTA-075	TABLE: square, 600W, low height
HYBA-069	SINK: single, with drainer, 930mmL
HYGE-008	BOILING WATER UNIT: 5 Litre
HYTP-037	TAPWARE: mixer, elbow levers
ITBU-011.1	DISPLAY SCREEN: MATV, 54cm
ITCL-001	ANNUNCIATOR: nurse call
ITIN-026	OUTLET: data, double RJ45, wall mounted
ITIN-070	OUTLET: MATV
ITNE-050	TELEPHONE: handset, desktop, handsfree
WLWA-004	WALL FINISH: paint, acrylic, washable
WLWA-010	WALL FINISH: splashback, vinyl



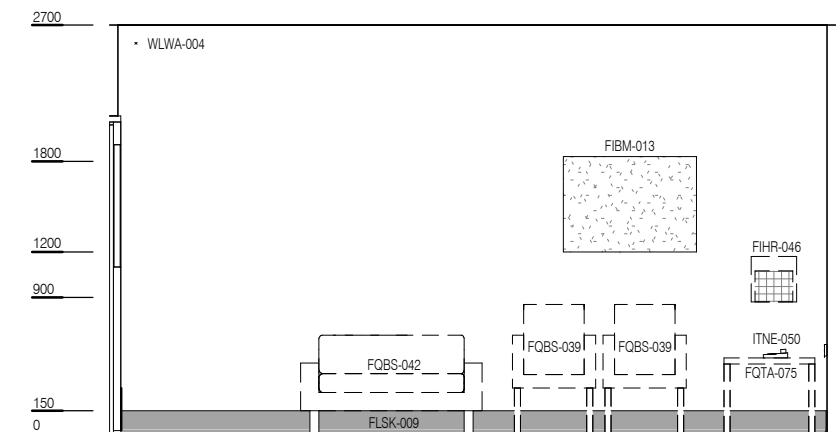
ELEVATION 1



ELEVATION 2



ELEVATION 3



ELEVATION 4



REV	DESCRIPTION	DATE
4	Coding and naming updated	20.03.2017

FOR GUIDANCE

SCALE	RLS Room Code	REV
1 : 50 @ A3	SRM-25	4