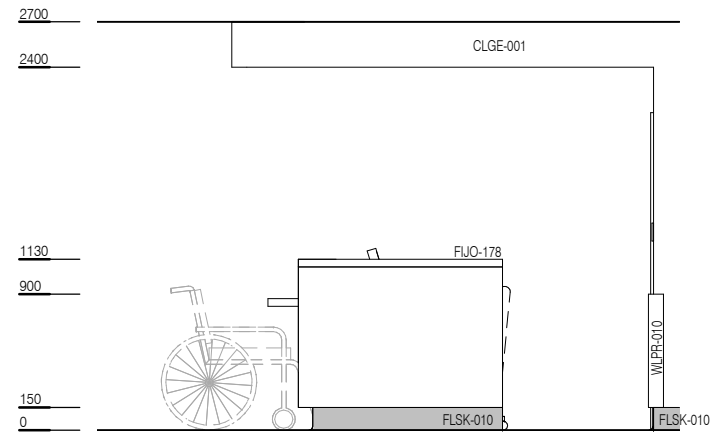


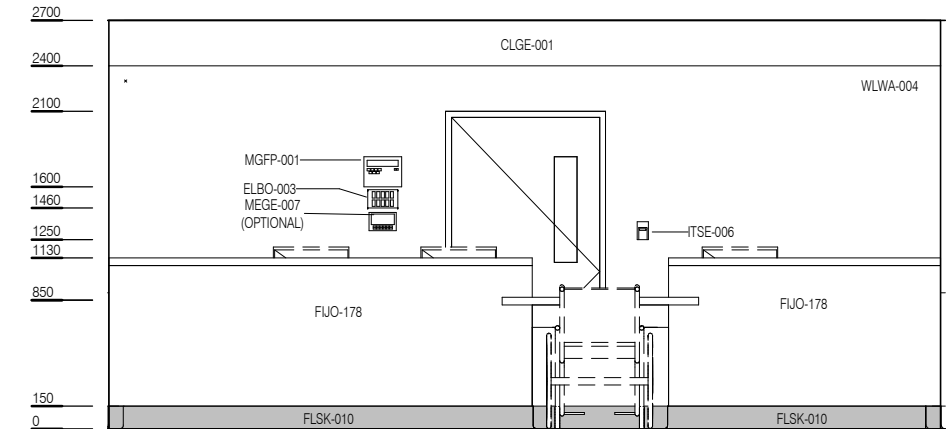
PLAN

CODE	DESCRIPTION
CAC	Cable access cap
ELBO-003	CONTROL PANEL: lighting
ELGP-015	SWITCH: light, single
ELGP-208.1	GPO: double, wall mounted (V)
FIBM-013	NOTICEBOARD: fixed, fabric covered
FUJO-178	JOINERY UNIT: staff station, high performance surfaces
FLSK-010	SKIRTING: vinyl, floor vinyl coved, 150H, prefinished
FLVY-007	FLOOR FINISH: vinyl, seamless, coved, standard slip resistant
FOBS-018	CHAIR: office, ergonomic
FOCW-016	BIN: waste, general, 20L
FQSM-007	PEDESTAL: mobile, drawer unit, 660H
ITCL-001	ANNUNCIATOR: nurse call
ITIN-026	OUTLET: data, double RJ45, wall mounted
ITNE-007	COMPUTER: desktop, with display screen
ITNE-049	TELEPHONE: handset, desktop
ITSE-006	BUTTON: duress, fixed
LIFX-008	LIGHT: task light, built in
MEGE-007	CONTROL PANEL: temperature
MGFP-001	ALARM PANEL: medical gases
MMBE-045	WHEELCHAIR
WLPR-010	WALL PROTECTION: corner guards, to 900 AFFL
WLWA-004	WALL FINISH: paint, acrylic, washable

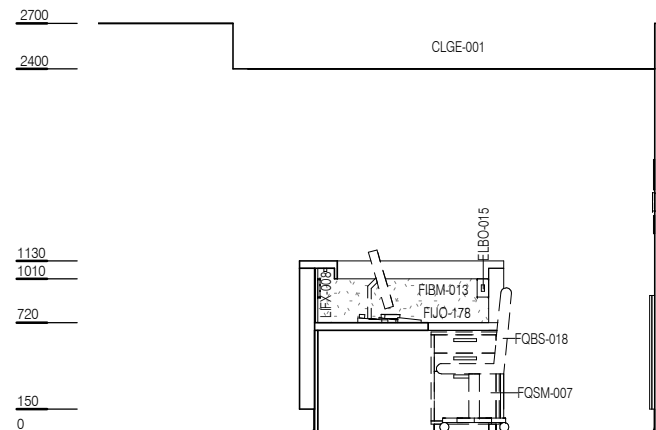


ELEVATION 1

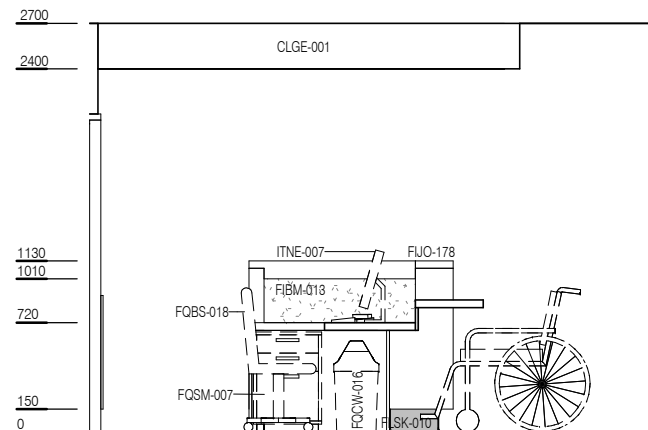
CODE	DESCRIPTION
CAC	Cable access cap
ELBO-003	CONTROL PANEL: lighting
ELBO-015	SWITCH: light, single
ELGP-208.1	GP0: double, wall mounted (V)
FIBM-013	NOTICEBOARD: fixed, fabric covered
FJJO-178	JOINERY UNIT: staff station, high performance surfaces
FLSK-010	SKIRTING: vinyl, floor vinyl coved, 150H, prefinished
FLYY-007	FLOOR FINISH: vinyl, seamless, coved, standard slip resistant
FQBS-018	CHAIR: office, ergonomic
FQCW-016	BIN: waste, general, 20L
FQSM-007	PEDESTAL: mobile, drawer unit, 660H
ITCL-001	ANNUNCIATOR: nurse call
ITIN-026	OUTLET: data, double RJ45, wall mounted
ITNE-007	COMPUTER: desktop, with display screen
ITNE-049	TELEPHONE: handset, desktop
ITSE-006	BUTTON: duress, fixed
LIFX-008	LIGHT: task light, built in
MEGE-007	CONTROL PANEL: temperature
MGFP-001	ALARM PANEL: medical gases
MMBE-045	WHEELCHAIR
WLPR-010	WALL PROTECTION: corner guards, to 900 AFFL
WLWA-004	WALL FINISH: paint, acrylic, washable



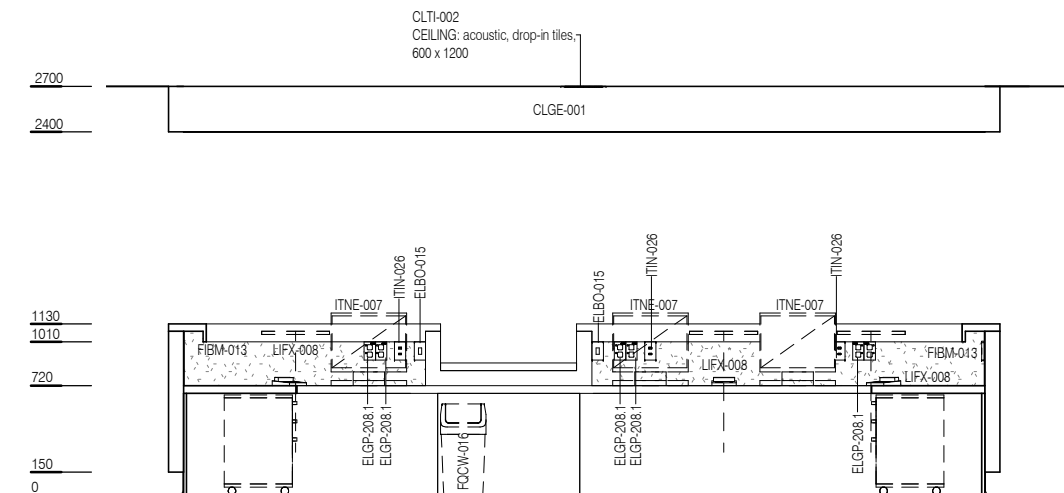
ELEVATION 2



ELEVATION 3



ELEVATION 4



ELEVATION 5 ( 1 : 50 @ A3 )