

# AUSTRALASIAN HFG STANDARD COMPONENTS

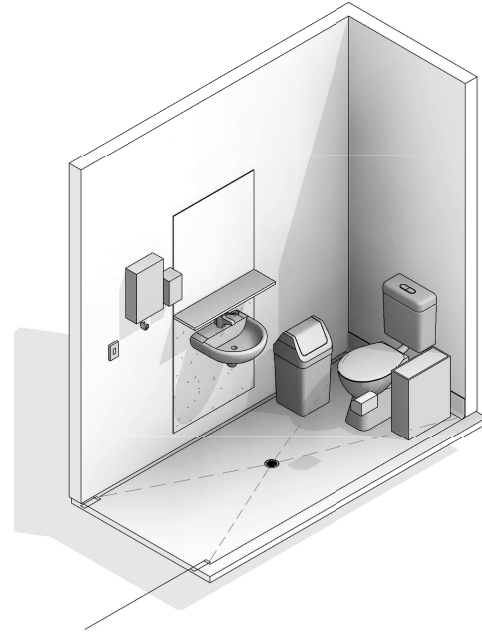
Room Layout Sheet

RLS Room Code: **WCPU-3**

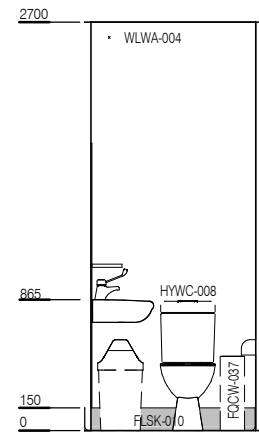
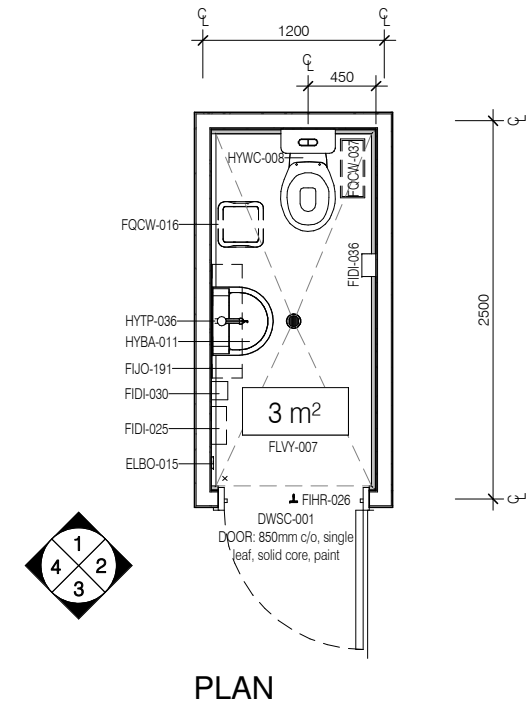
Room Name:

1:50 2.5m 2 1.5 1 0.5 0

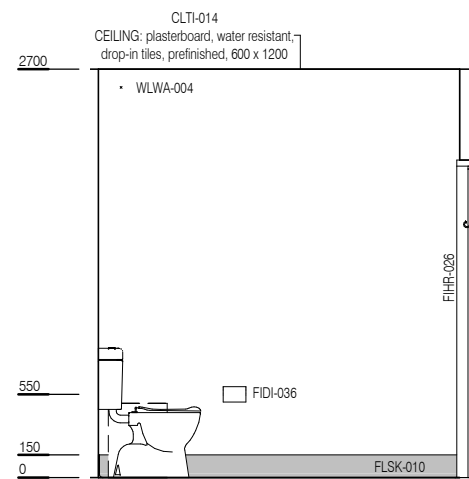
**TOILET - PUBLIC, 3m<sup>2</sup>**



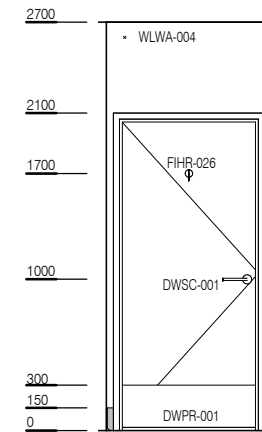
CODE	DESCRIPTION
DWPR-001	DOOR PROTECTION: kickplate, to 300 AFFL
ELBO-015	SWITCH: light, single
FIBM-006	MIRROR: fixed, glass
FIDI-025	DISPENSER: paper/hand towel
FIDI-030	DISPENSER: soap
FIDI-036	DISPENSER: toilet paper
FIHR-026	HOOK: coat
FJJO-191	SHELF: above basin
FLSK-010	SKIRTING: vinyl, floor vinyl coved, 150H, prefinished
FLVY-007	FLOOR FINISH: vinyl, seamless, coved, standard slip resistant
FQCW-016	BIN: waste, general, 20L
FQCW-037	BIN: waste, sanitary
HYBA-011	BASIN: handwash, Type C
HYDR-004	DRAIN: floor waste
HYTP-036	TAPWARE: mixer, basin, lever action
HYWC-008	TOILET SUITE: standard
WLWA-004	WALL FINISH: paint, acrylic, washable
WLWA-007	WALL FINISH: splashback



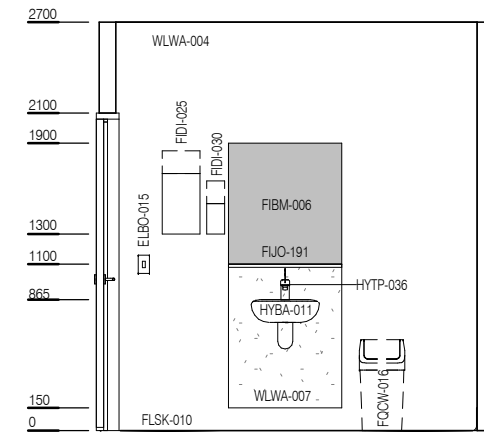
ELEVATION 1



ELEVATION 2



ELEVATION 3



ELEVATION 4



REV	DESCRIPTION	DATE
4	Coding and naming updated	20.03.2017

FOR GUIDANCE

SCALE	RLS Room Code	REV
1 : 50 @ A3	WCPU-3	4