

# AUSTRALASIAN HFG STANDARD COMPONENTS

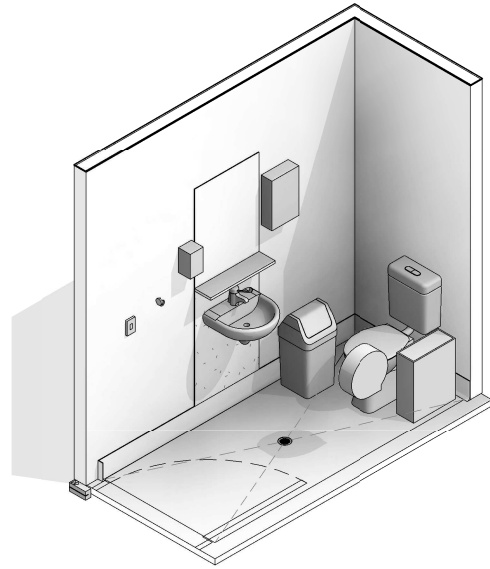
Room Layout Sheet

RLS Room Code: **WCST**

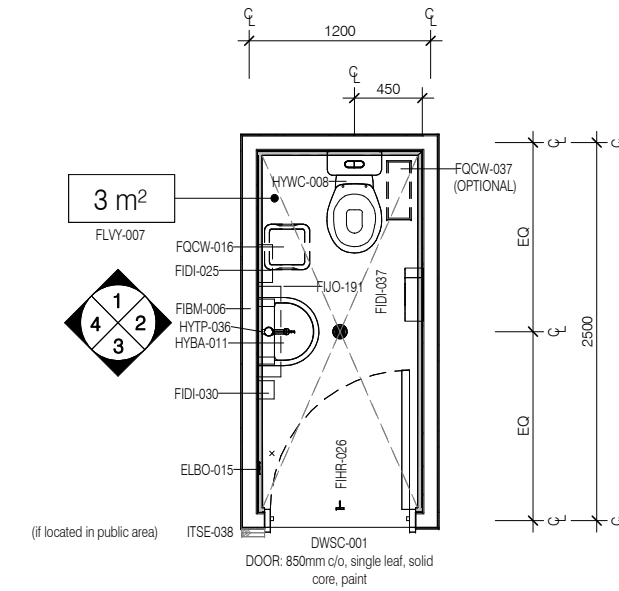
1:50

Room Name:

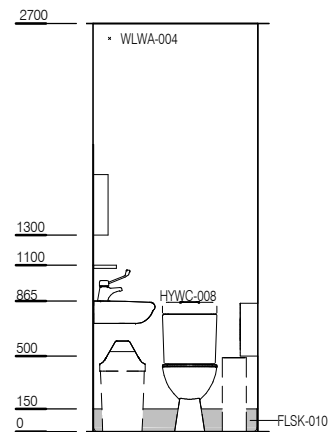
**TOILET - STAFF, 3m<sup>2</sup>**



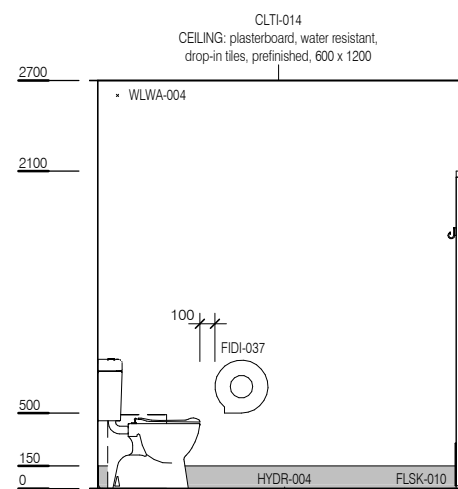
CODE	DESCRIPTION
DWPR-002	DOOR PROTECTION: kickplate, to 300 AFFL, composite, prefinished
ELBO-015	SWITCH: light, single
FIBM-006	MIRROR: fixed, glass
FIDI-025	DISPENSER: paper/hand towel
FIDI-030	DISPENSER: soap
FIDI-037	DISPENSER: toilet paper, large
FIHR-026	HOOK: coat
FIJO-191	SHELF: above basin
FLSK-010	SKIRTING: vinyl, floor vinyl coved, 150H, prefinished
FLYV-007	FLOOR FINISH: vinyl, seamless, coved, standard slip resistant
FQCW-016	BIN: waste, general, 20L
FQCW-037	BIN: waste, sanitary
HYBA-011	BASIN: handwash, Type C
HYDR-004	DRAIN: floor waste
HYTP-036	TAPWARE: mixer, basin, lever action
HYWC-008	TOILET SUITE: standard
ITSE-038	READER: access control, general
WLWA-004	WALL FINISH: paint, acrylic, washable
WLWA-007	WALL FINISH: splashback



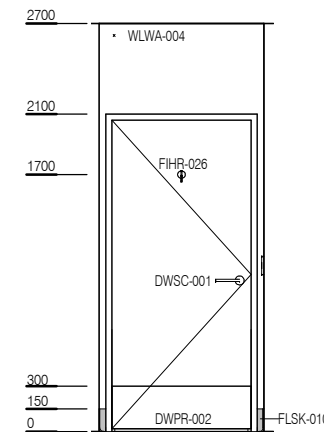
**PLAN**



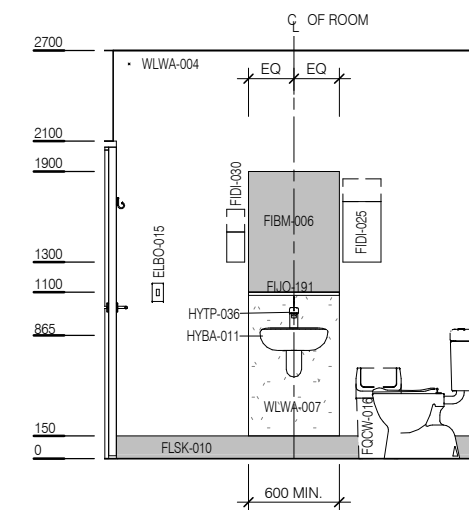
**ELEVATION 1**



**ELEVATION 2**



**ELEVATION 3**



**ELEVATION 4**



REV	DESCRIPTION	DATE
4	Coding and naming updated	20.03.2017

**FOR GUIDANCE**

SCALE	RLS Room Code	REV
1 : 50 @ A3	WCST	4