

AUSTRALASIAN HFG STANDARD COMPONENTS

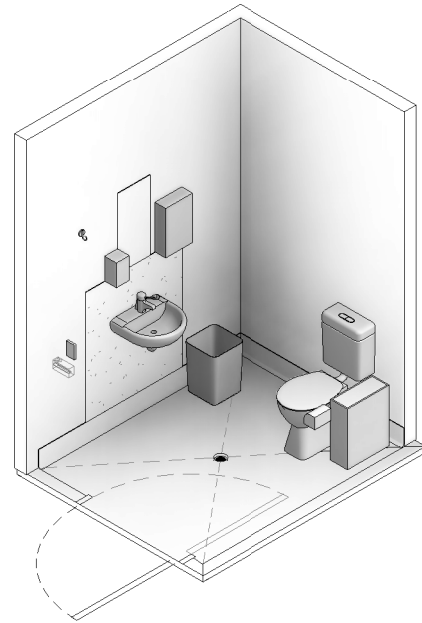
Room Layout Sheet

RLS Room Code: WCST

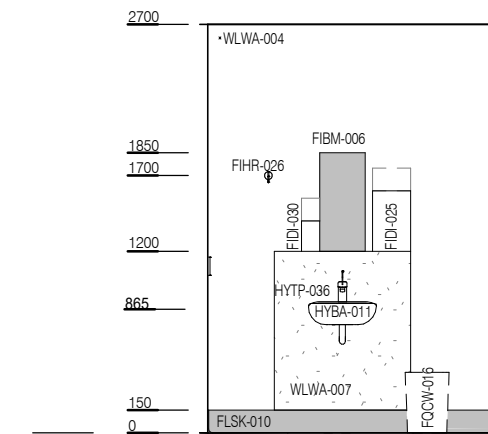
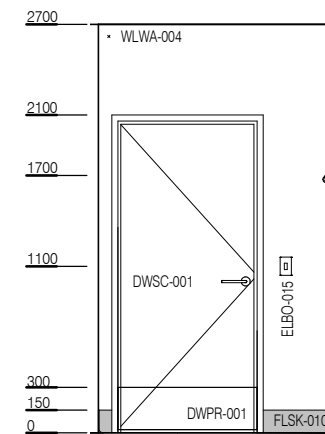
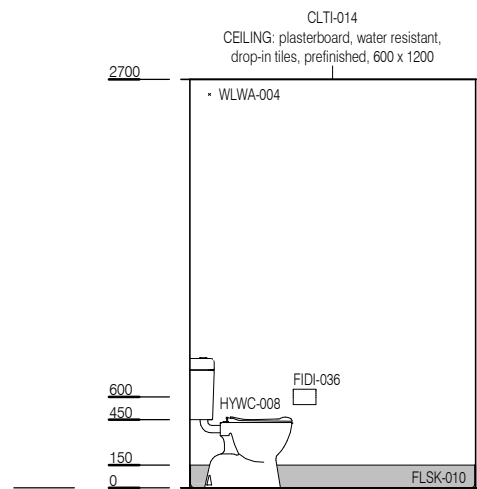
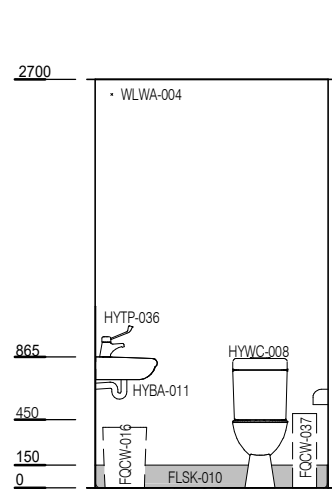
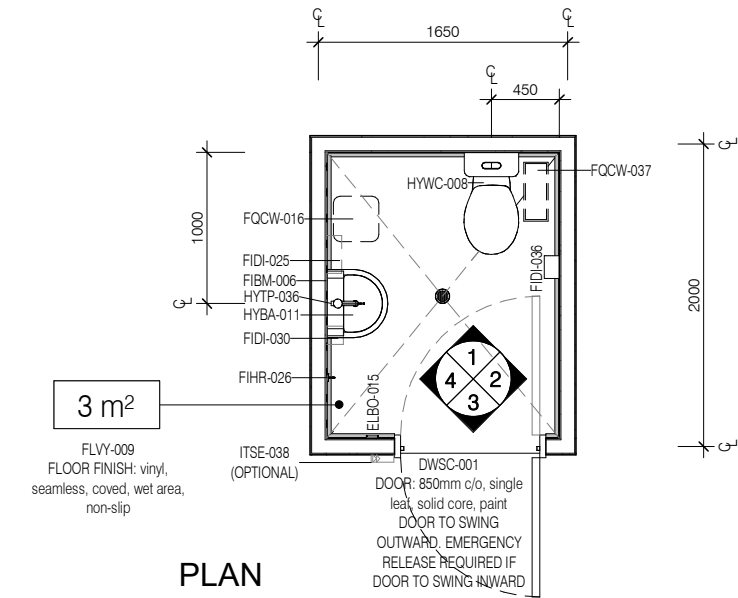
Room Name:

1:50 2.5m 2 1.5 1 0.5 0

TOILET - STAFF



CODE	DESCRIPTION
DWPR-001	DOOR PROTECTION: kickplate, to 300 AFFL
ELBO-015	SWITCH: light, single
FIBM-006	MIRROR: fixed, glass
FIDI-025	DISPENSER: paper/hand towel
FIDI-030	DISPENSER: soap
FIDI-036	DISPENSER: toilet paper
FIHR-026	HOOK: coat
FLSK-010	SKIRTING: vinyl, floor vinyl covered, 150H, prefinished
FLVY-009	FLOOR FINISH: vinyl, seamless, coved, wet area, non-slip
FQCW-016	BIN: waste, general, 20L
FQCW-037	BIN: waste, sanitary
HYBA-011	BASIN: handwash, Type C
HYDR-004	DRAIN: floor waste
HYTP-036	TAPWARE: mixer, basin, lever action
HYWC-008	TOILET SUITE: standard
ITSE-038	READER: access control, general
WLWA-004	WALL FINISH: paint, acrylic, washable
WLWA-007	WALL FINISH: splashback



ELEVATION 1

ELEVATION 2

ELEVATION 3

ELEVATION 4



REV	DESCRIPTION	DATE
5	General update following ERG review	18.01.2021

FOR GUIDANCE

SCALE	RLS Room Code	REV
1 : 50 @ A3	WCST	5